

HUNZATM PURE
OUTDOOR
LIGHTING

CUBE SERIES





OUR STORY

New Zealand is renowned for its natural beauty and the extraordinary quality of its pure natural light. At Hunza this constantly inspires us to create the finest outdoor lights in the world.

Over the last 20 years Hunza has been pushing boundaries of what is achievable with innovative and sustainable design. Our brand is a name well recognized in the international outdoor lighting market as a manufacturer of world-class outdoor lighting fixtures. Hunza products have a deserved reputation for quality, performance and flexibility. Our products can make any ordinary space desirable by enhancing the visual environment and transforming it into something truly remarkable.

Outdoor lighting isn't just another part of our focus; it's our whole focus. We have the best technology and production processes in place to ensure the quality of our light fixtures. We are very familiar with the extreme weather factors and temperature fluctuations outdoor luminaires are subject to, and that is why our fixtures are designed to withstand a high degree of physical stress. Our quality concept comes from our long experience and it forms an integral part to our daily approach and the development of new products.

We set perfection as our goal, and constantly strive to deliver it. Here's how:
Precision engineered from the finest raw materials and components. No mass production. No assembly lines. Quality allows no room for compromise or error. We use only New Zealand refined aluminium or 316 stainless steel and there is no punching in our manufacturing process – only precision engineering. Each luminaire we produce is meticulously crafted using the latest CNC machining technology and then hand assembled by people who take personal pride in the quality of each product. Each Hunza product is packaged inside a box that has a QR code displayed on the label. This code automatically directs you to a webpage which introduces the Hunza team members who proudly made that specific product.

We work on a world stage. Our design team and engineers are in touch with the world's leading technology developers and lighting designers. We understand the science of light and we create and engineer products that transform the night. Our products are designed and machined using the latest 3-D software that assures total precision and performance.

PURE PERFORMANCE

Driver System

Hunza PURE LED has an external driver system that allows connection of several luminaires to a single power supply and helps to isolate the driver from heat sources, thereby prolonging the operational life and reliability.

Cree™ LED and Plug-in Circuit Board

The heart of the system is Hunza's Plug-and-Play circuit board that allows the LED to easily be unplugged and replaced in the field. The unique design delivers maximum performance from the market leading Cree™ XTE LED chip and, in the event of an LED problem, the Plug-and-Play feature allows easy replacement or upgrade of the LED chip.

Hunza has selected Cree™ as our core LED supplier due to their reputation as the market-leading innovator of lighting-class LEDs. Cree™ pioneered the use of innovative materials such as silicon carbide (SiC), which provides high heat transfer efficiency performance for lighting applications. Using SiC as a platform material, Cree™ has spent over 20 years developing an array of new technologies that far surpass traditional ones.

Machined Body and Backplate

These are CNC machined from solid Aluminium or 316 Stainless Steel to provide precise dimensions and heavy-duty construction, ensuring the highest level of heat dissipation and long-term reliability in any outdoor environment.

Testing and Performance Data

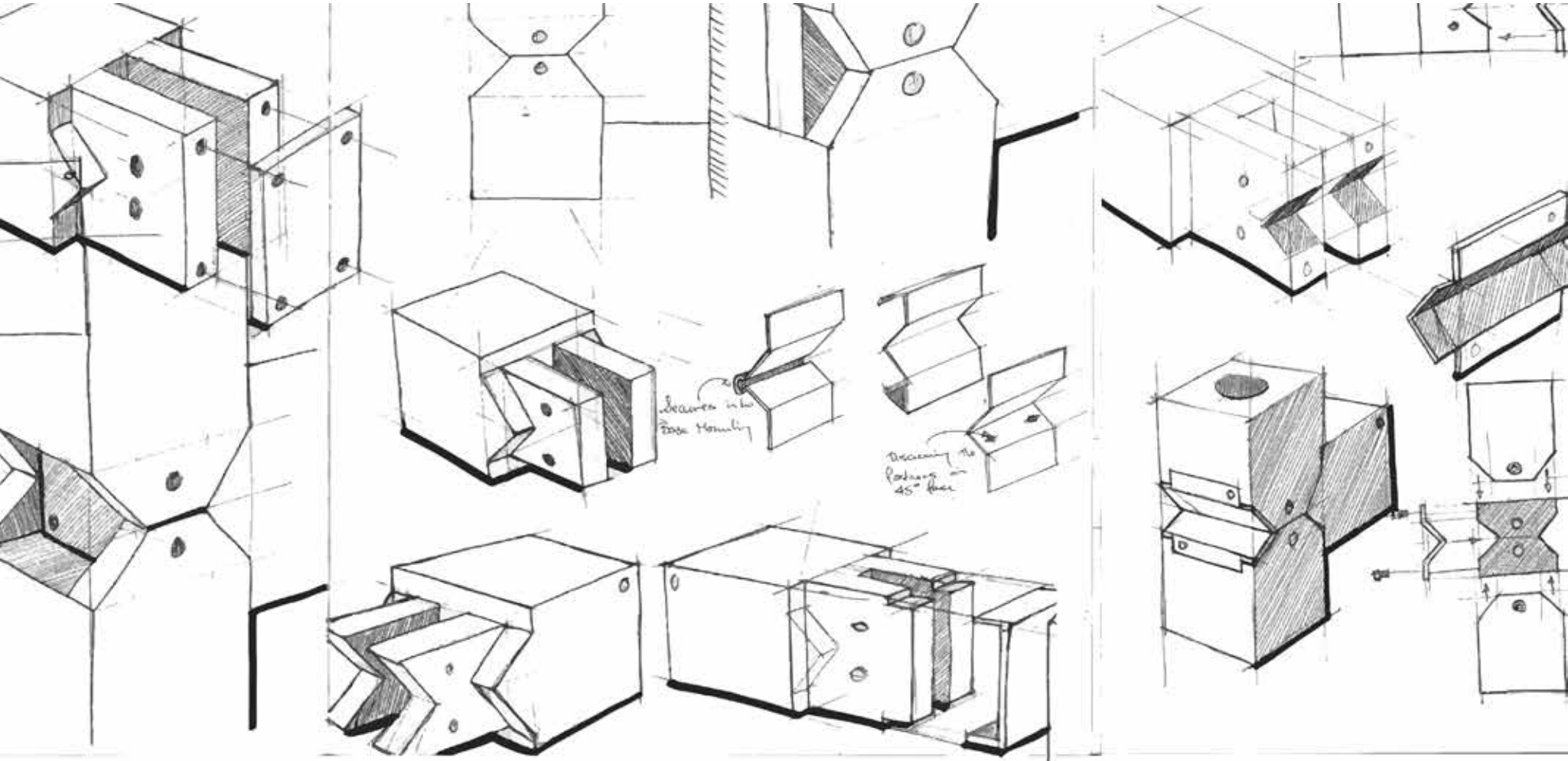
Hunza uses the most advanced testing equipment, Spectrophotometer in product development and in the generation of technical data and specifications. Our Cube luminaires are designed and tested to meet all the standards and IP ratings of current Hunza luminaires, including the LM79 and LM80 standards. Our test data has highly accurate efficiency and chromacity performance information using our Spectrophotometer.

Sustainability

Hunza's Pure LED products are the most sustainable alternative to traditional lighting sources. Our LEDs are engineered to provide extraordinary durability, ease of installation and low maintenance. They require less power to produce the same lumen output as other forms of lighting, which makes them more energy efficient and lower in energy cost.



OUR INSPIRATION



The continued progression of LED technology is facilitating the development of a new generation of lighting products. We now have the freedom to design products that depart from conventional shapes and forms. Light fixtures no longer have to conform to the shape of the lamp.

The idea behind the cube range was to create a series of lighting fixtures to compliment the strong lines and shapes being used in our modern day urban environments. The sharp geometric forms used in current architecture have been used to inform and define the series. The result is contemporary fixtures that are small in size yet striking in appearance.



KEY

					
IP 66	INGRESS PROTECTION	Indice de proteccion	Degré de protection	Índice de Proteção	Schutzgrad gegen Eindringen
	SERIES WIRING	Conexion Serie	Câblage en série	Ligação em serie	Durchverdrahtung
	FORWARD VOLTAGE (INPUT)	Voltaje de salida	Tension au secondaire	Tensão de saída	Betriebsspannung
	MAXIMUM MILLIAMPS (INPUT)	Corriente Maxima	Intensité maximale	Corrente Máxima	Max. Strombelastbarkeit
	12V BUILT IN DRIVER	Driver LED 12 voltios	Driver LED 12 volts	Driver de tensão 12 volts	Niedervolt 12- Trafo
	MAXIMUM LUMEN OUTPUT	Maximo Flujo luminoso	Flux lumineux maximal	Intensidade luminosa máxima	Lichtstrom
	LED (LIGHT EMITTING DIODE)	LED (diodo emisor de luz)	la lampe a diode electroluminescente	Diodo Emissor de Luz	LED
	PLUG AND PLAY	Enchufe y jugar	Plug and play	Plug and play	Plug and play
	ANTI SYPHON	Antisifón	Anti Syphon	Anti-Sifão	anti -siphon
	BEAM ANGLE	Angulo de apertura del az de luz	Angle d'éclairage	Ângulo de feixo	Abstrahlwinkel

FINISHES

ALUMINIUM

Aluminium provides an excellent blend of characteristics for our outdoor luminaires, offering excellent durability and heat dissipation. Our in-house powder coating process allows us to offer a range of standard powder coat colours with a high degree of UV resistance.

- Hunza aluminium luminaires are designed to last longer than a standard aluminium fixture for the following reasons:
- Our luminaires are machined from very high grade, solid and hollow bar stock.
 - We use only very low copper (0.01%) content aluminium. This alloy has the highest corrosion resistance for aluminium.
 - All aluminium components undergo a 4 step cleaning and chromating process which creates a corrosion resistant substrate.
 - We use Dulux/Orica (www.oricapowdercoatings.com) polyester powder coatings with very high resistance to UV degradation.
 - Dulux/Orica has certified HUNZA as a ISO 9000 applicator, 1 of only 5 companies at the time in the country. Full quality records are kept throughout the process.

The Cube Series is only available in the new "E" powdercoat finish. This "E" coat features a more matte and textured finish compared to our existing powdercoat finish, giving the fixtures a more modern and upmarket look and feel.



E COAT WHITE
BLANCO
BLANC
BRANCO
WEIß

Code: WH



E COAT BLACK
NEGRO
NOIR
PRETO
SCHWARZ

Code: BK



E COAT SILVER
PLATA
ARGENT
PRATA
SILBER

Code: STAR



E COAT BRONZE
BRONCE
BRONZE
BRONZE
BRONZE

Code: BZ



316 STAINLESS
ACERO INOXIDABLE
ACIER INOXYDABLE
AÇO INOXIDÁVEL
EDELSTAHL

Code: SS

STAINLESS STEEL

Stainless Steel provides a very stylish semi-industrial look ideally suited to contemporary architecture, high-wear situations and marine environments. At Hunza we only use 316 grade Stainless Steel due to its increased resistance to corrosion.

316 Stainless Steel resists corrosion mainly due to the chromium content used in the steel alloy 'recipe'. Iron, the primary component of the stainless steel, is very prone to oxidation (rust) in its pure form. Chromium helps to slow down the oxidation process by combining with oxygen to form a tough, adherent, inert film of chromium oxide on the steel surface. If damaged mechanically or chemically, this film is self-healing in the presence of sufficient oxygen. Generally, an increase in chromium content improves the corrosion resistance of stainless steel. The addition of nickel raises the general corrosion resistance to a level suited to more aggressive environments. The further addition of molybdenum improves the corrosion resistance to localised effects such as pitting or scarring. Machined from very high grade, solid and hollow bar stock, our luminaires provide excellent resistance to deterioration, subject to standard stainless cleaning routines.

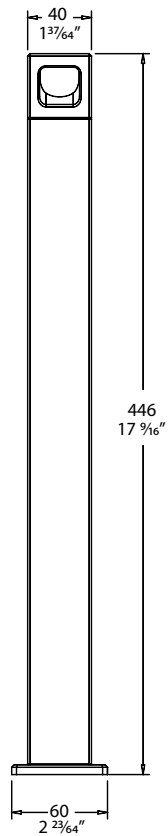
Stainless steel is more resistant to blemishes than regular steel but it is not stain proof. Stainless steel needs regular washing to prevent surface staining, particularly in areas where it is exposed to salt-spray. In these conditions, Hunza strongly recommends that stainless fixtures are specified with an electro-polished finish which will increase the surface protection by up to 33% and reduce the maintenance requirements. HUNZA stainless steel luminaires are supplied with a special high-temperature, waterproof grease on the fixture threads. HUNZA stainless steel fixtures are covered by a 10 year warranty.

PLEASE NOTE: Colours and finishes have been represented as accurately as printing will allow, they may vary slightly.

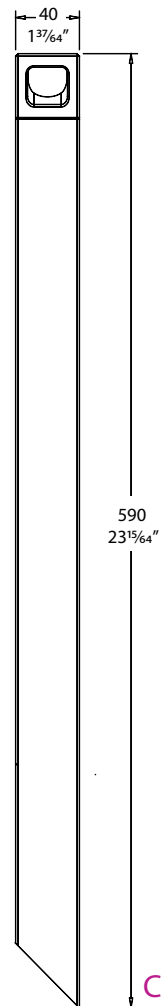
CUBE BOLLARD



Code: CBOLQZFM



Code: CBOLCL1FM



Code: CBOLCL1

The Cube Bollard is ideal for illuminating walkways and pathways. With its sleek, simple yet bold appearance, these bollards will greatly enhance your outdoor space with a distinctive modern flair.

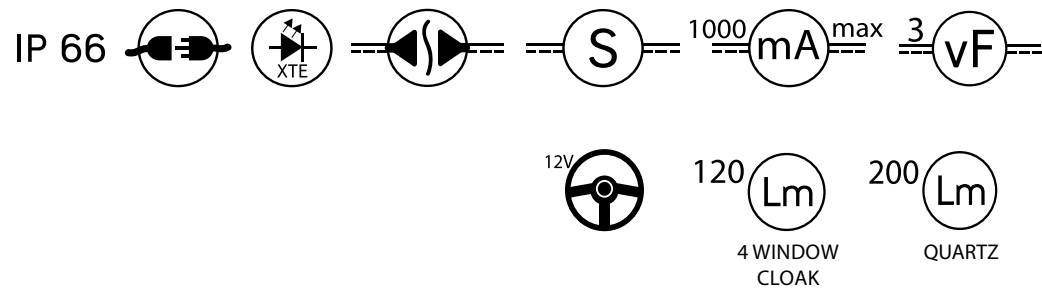
There are 2 head designs: Cloak (CL) and Quartz (QZ)

The Cube Bollard is constructed from solid Aluminium finished with a polyester UV stable power coat, or from solid 316 Stainless Steel with an electro polished finish.

Available in 3000K, 4000K, 5000K colour temperatures and Blue.



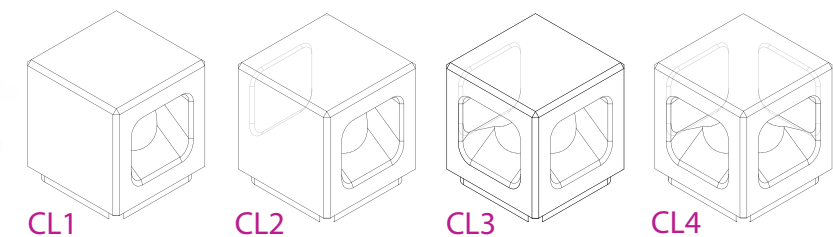
SPECIFICATIONS



FINISHES



CLOAK OPTIONS



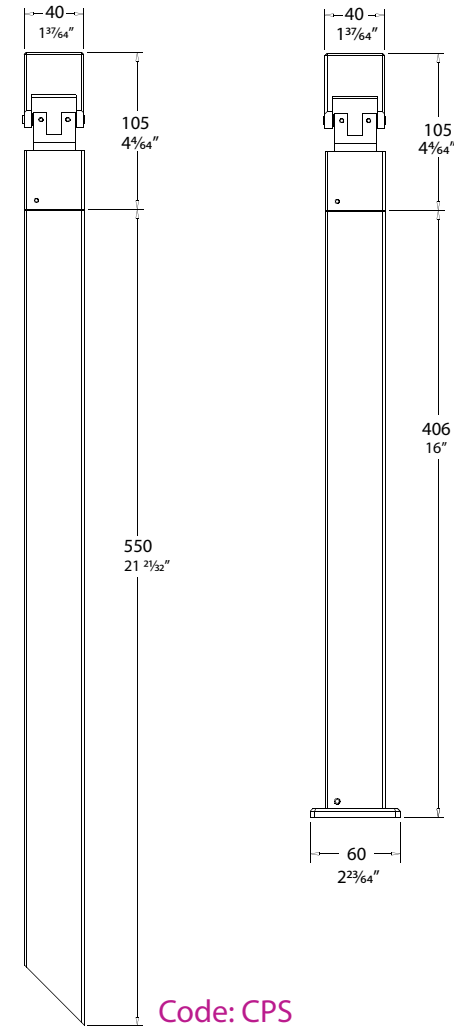
Quartz and Cloak lenses must NOT be cleaned with a Petrochemical substance

CUBE POLE SPOT

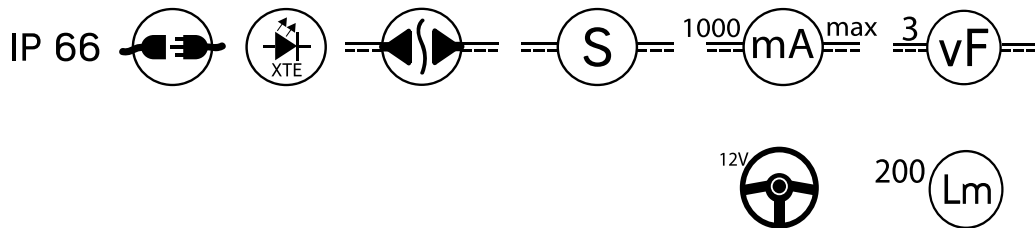
The Cube Pole Spot is ideal for path lighting or tree lighting. It has a **adjustable head** that tilts through 180 degrees.

The Cube Pole Spot is constructed from solid Aluminium finished with a polyester UV stable power coat, or from solid 316 Stainless Steel with an electro polished finish.

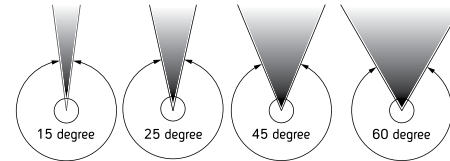
Available in 3000K, 4000K, 5000K colour temperatures and Blue.



SPECIFICATIONS



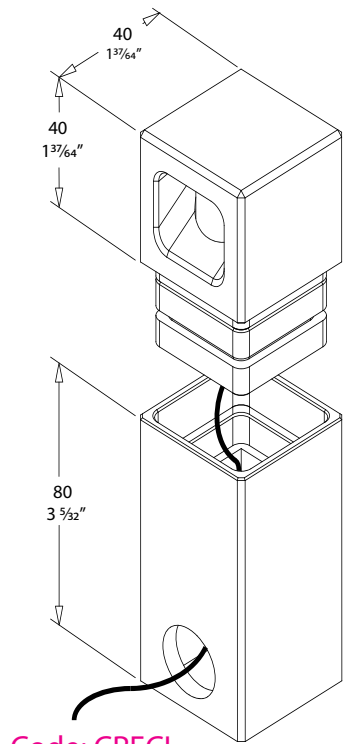
BEAM ANGLES



FINISHES



CUBE RECESSED



Code: CRECL

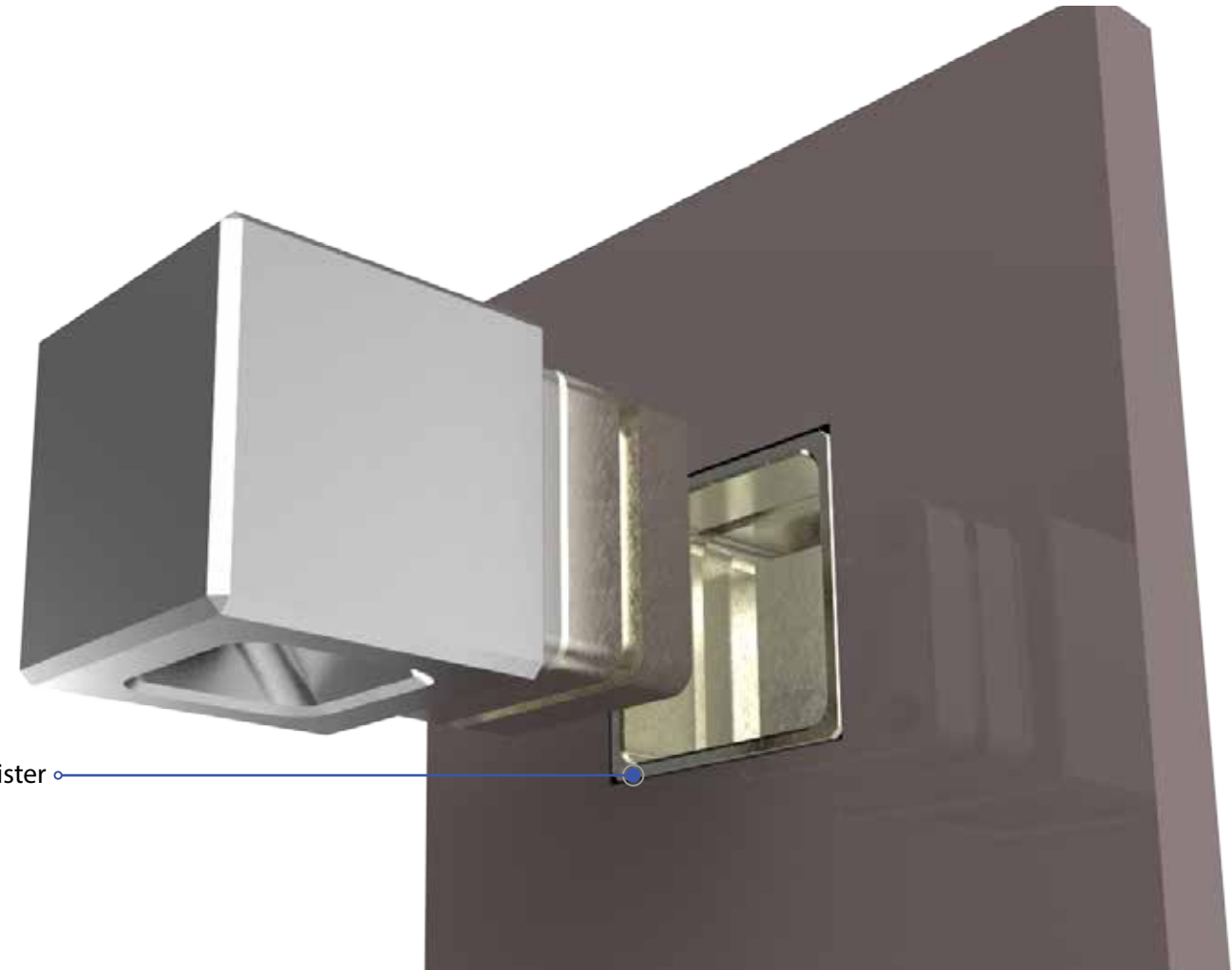
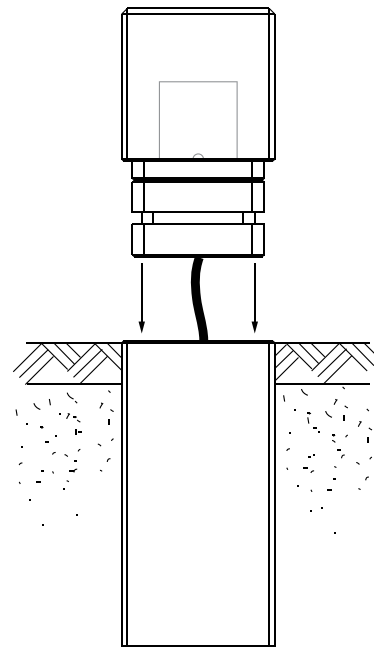
The Cube Recessed can be mounted in the wall or ground to illuminate landscapes while maintaining a low profile.

There are 2 head designs: Cloak (CL) and Quartz (QZ).

The Cube Recessed is constructed from solid Aluminium finished with a polyester UV stable power coat, or from solid 316 Stainless Steel with an electro polished finish. Aluminium canister supplied with the fixture.

Available in 3000K, 4000K, 5000K colour temperatures and Blue.

Code: CREQZ



Recessed Canister

SPECIFICATIONS

IP 66 1000 mA max 3 vF

120 Lm 4 WINDOW CLOAK

200 Lm QUARTZ

FINISHES

E COAT WHITE Code: WH

E COAT BLACK Code: BK

E COAT SILVER Code: STAR

E COAT BRONZE Code: BZ

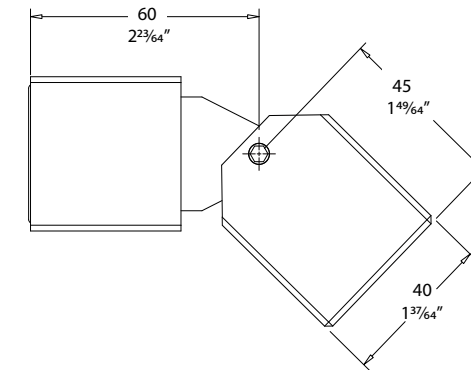
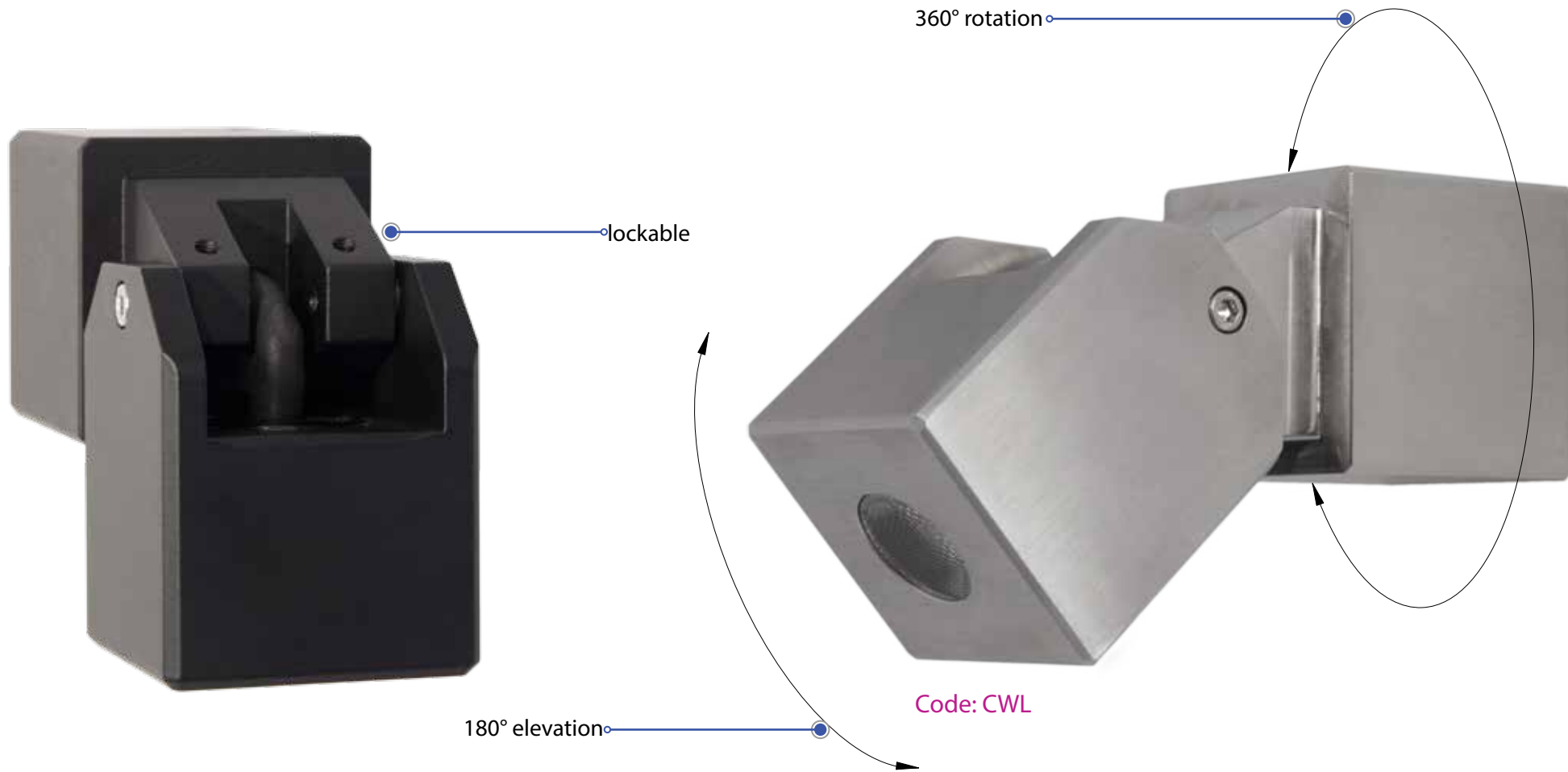
316 STAINLESS Code: SS

CLOAK OPTIONS

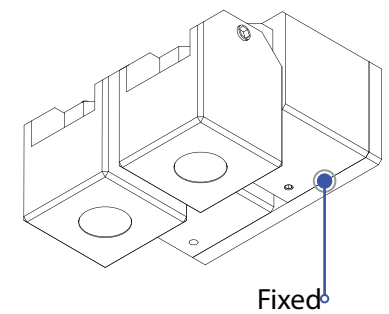
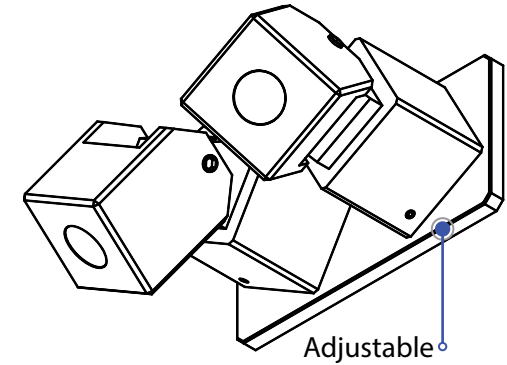
CL1 CL2 CL3 CL4

Quartz and Cloak lenses must NOT be cleaned with a Petrochemical substance

CUBE WALL



Code: CWLDM

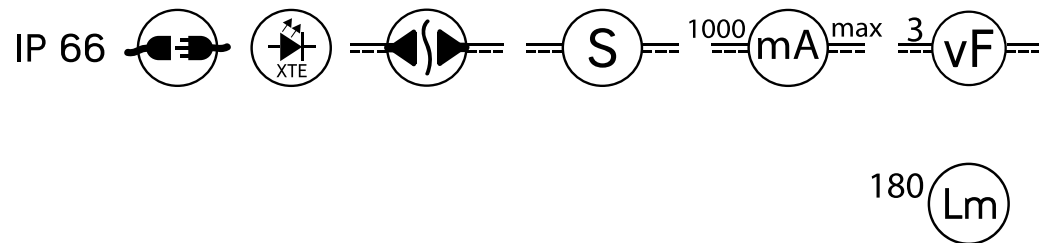


The Cube Lite is designed to be mounted for **multiple lighting functions**. It can be used as a spot light to provide **directional light** for landscape features and/or structural elements of a building. This luminaire has a **fully adjustable head** that can also be locked into place for use as an uplight or downlight. There are two dual mount options. Fixed, for mounting two luminaires side-by-side with no rotation or adjustable, where the two luminaires are spread further apart to allow rotation.

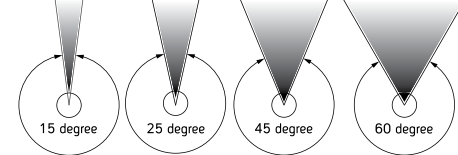
The Cube Lite is constructed from solid Aluminium finished with a polyester UV stable power coat, or from solid 316 Stainless Steel with an electro polished finish.

Available in 3000K, 4000K, 5000K colour temperatures and Blue.

SPECIFICATIONS



BEAM ANGLES



FINISHES



E COAT WHITE
Code: WH



E COAT BLACK
Code: BK



E COAT SILVER
Code: STAR



E COAT BRONZE
Code: BZ



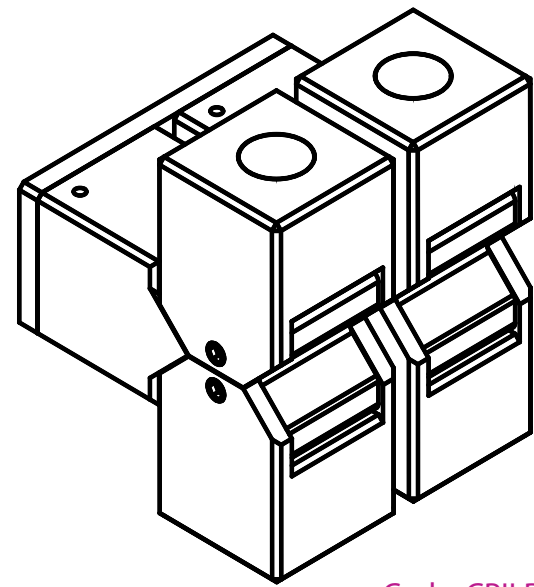
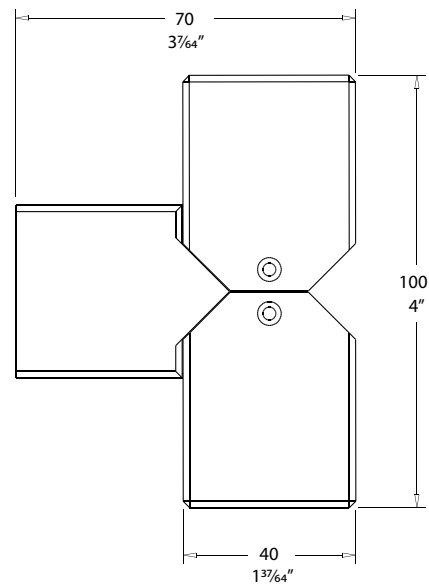
316 STAINLESS
Code: SS

CUBE PILLAR

The Cube Pillar Lite illuminates both upwards and downwards, giving columns, gateway pillars and entrances a dramatic effect.

There are two dual mount options. Fixed, for mounting two luminaires side-by-side with no rotation or adjustable, where the two luminaires are spread further apart to allow rotation.

The Cube Pillar is constructed from solid Aluminium finished with a polyester UV stable power coat, with a stainless insert. Available in solid 316 Stainless Steel with an electro polished finish, with a black powder coated stainless insert. (Inserts available in all standard finishes)



Code: CPILDM



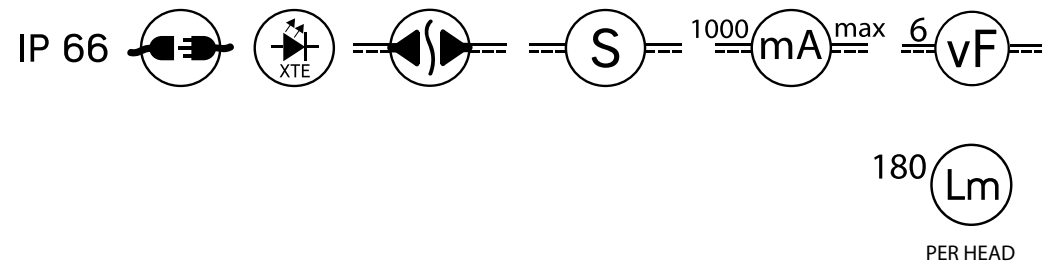
Code: CPIL

Stainless Insert

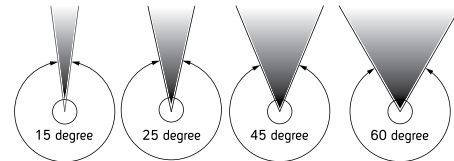
Available in all finishes



SPECIFICATIONS



BEAM ANGLES

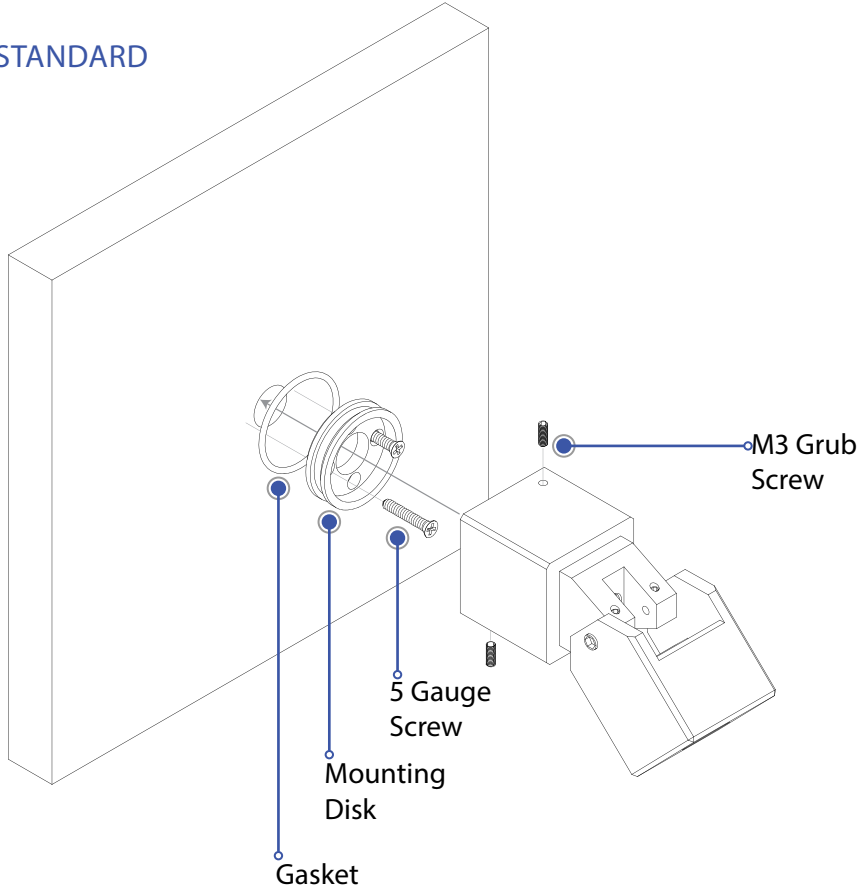


FINISHES

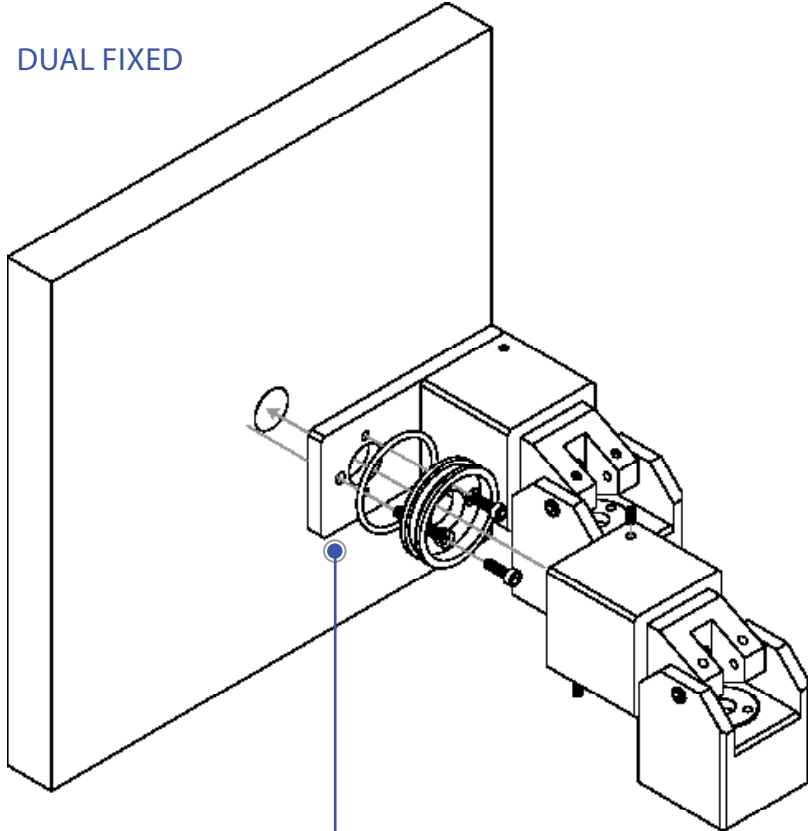


MOUNTING

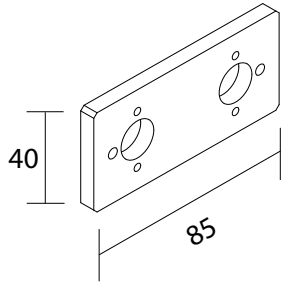
STANDARD



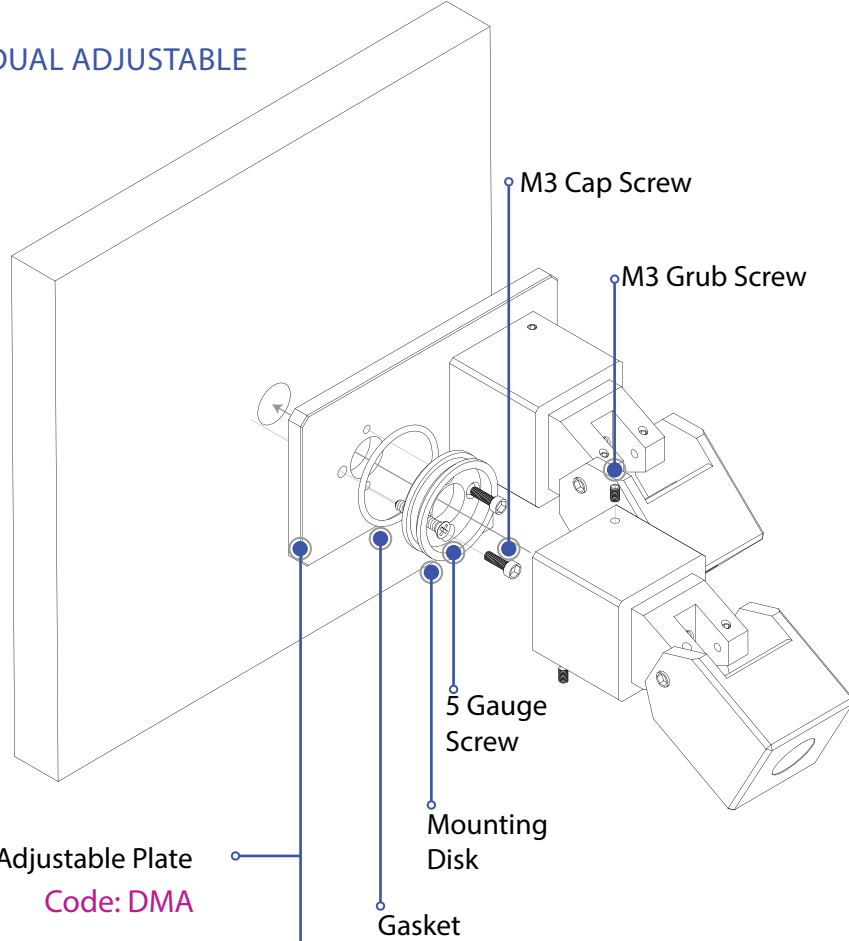
DUAL FIXED



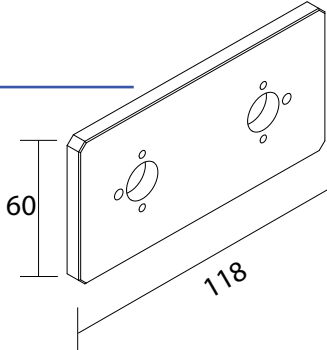
Dual Mount Fixed Plate
Code: DM



DUAL ADJUSTABLE



Dual Mount Adjustable Plate
Code: DMA



There are two dual mount options. Fixed, for mounting two luminaires side-by-side with no rotation or adjustable, where the two luminaires are spread further apart to allow rotation.

U.S. mounting plates available to cover a 3" junction box



WARRANTY POLICY

When you purchase or specify a Hunza luminaire, you get the benefit of the legendary Hunza reputation for high quality and long life. We back this up with extended warranty, offering up to 10 years on body components and 5 years on the LED system. When installed and looked after properly Hunza luminaires will last a lifetime so we keep serviceability firmly in mind when designing the components and system construction.

Hunza Five Year Warranty*

All Hunza aluminium luminaires with a UV stable powder-coat finish have a five-year replacement warranty, subject to standard conditions listed below.

Hunza Ten Year Warranty*

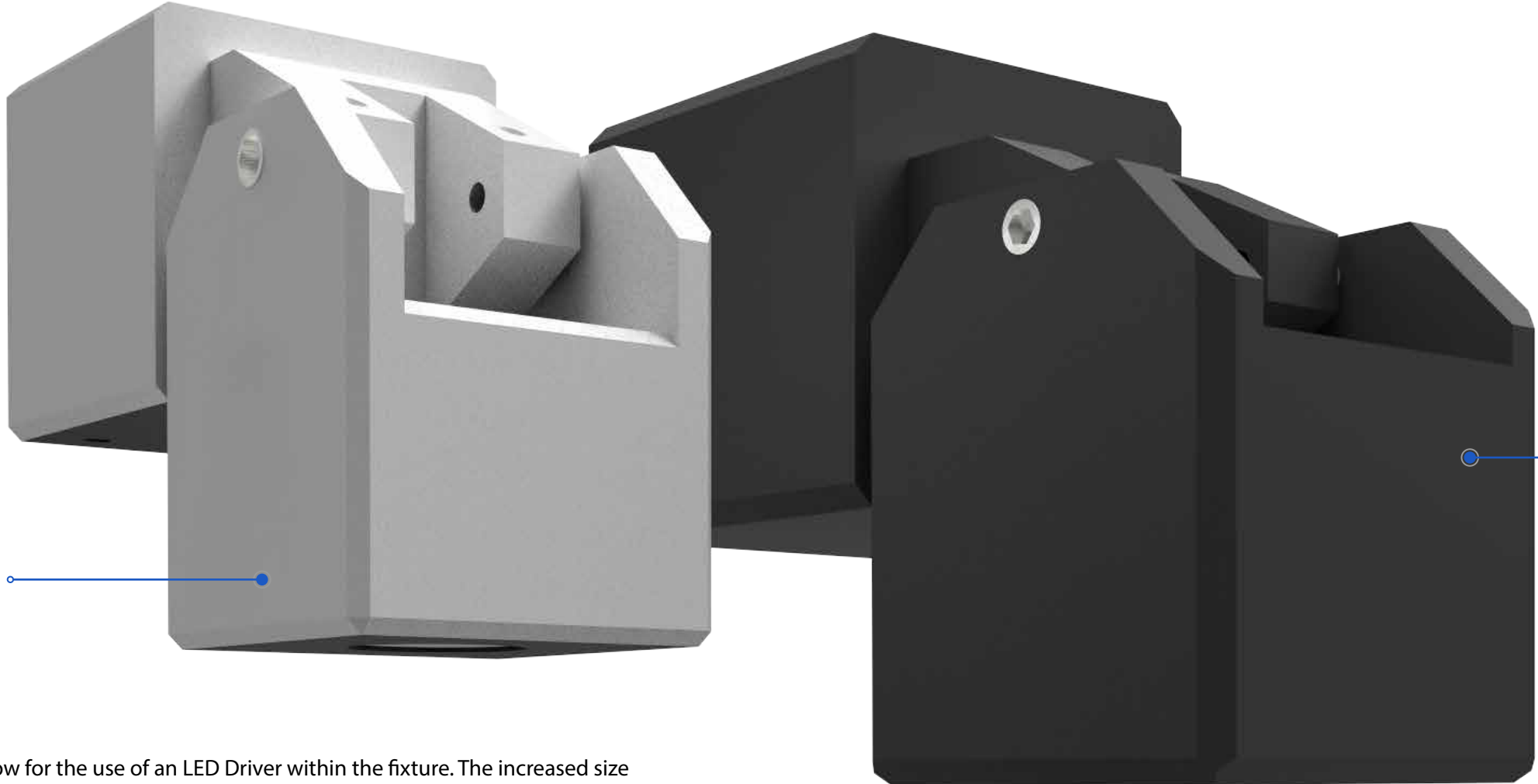
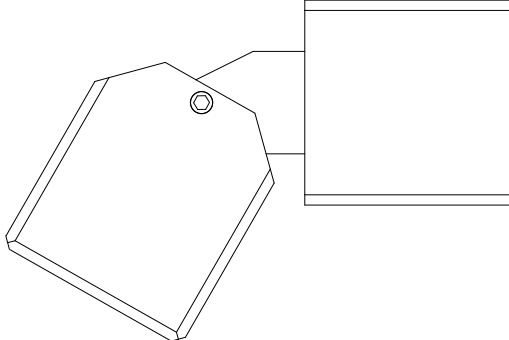
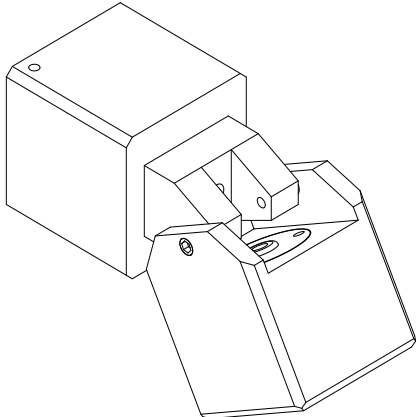
All Hunza stainless steel luminaires have a ten-year replacement warranty, subject to standard conditions listed below. LED limited to 5 year warranty.

* Standard Conditions:

1. The environment in which the fixture is to be installed must be considered carefully when selecting the finish. Stainless steel luminaires are recommended for high-risk environments such as near salt water. Aluminium luminaires may not be covered by the full warranty in these situations.
2. Stainless Steel requires regular cleaning with fresh water when installed in salty environments. (Refer to instructions supplied with luminaire)
3. Warranty excludes impact damage, incorrect installation and incorrect re-assembly.
4. Fixtures must be kept properly maintained, including replacement of gaskets and lenses when necessary.
5. Hunza, at its discretion, may replace components or the complete fixture.
6. Hunza warranty is limited to the repair or replacement of products ONLY, labour charges will not be accepted.
7. Hunza will not be liable for any labour charges for any repair or replacement of defective drivers. Drivers have their own manufacturer warranty and any faults will be at the responsibility of the manufacturer.
8. Acrylic Quartz and Cloak lenses must **NOT** be cleaned with any petrochemical substance, warranty will be void.

RETRO CUBE

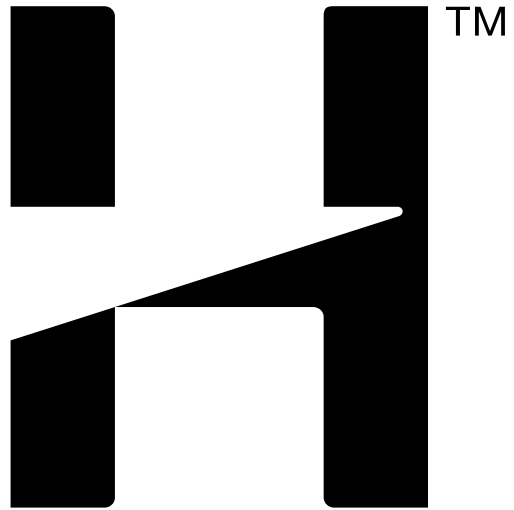
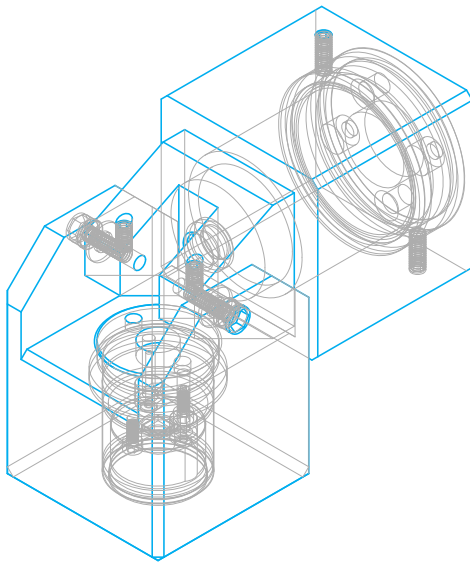
ARRIVING END OF 2013



40x40mm 1³/₅"

60x60mm 2²/₅"

The compact design of the Cube Series does not allow for the use of an LED Driver within the fixture. The increased size of the Retro Cube accommodates the LED Driver, allowing it to be wired directly to mains voltage.



© 2013 Copyright Hunza Productions Ltd.

NOTE: Specifications may change without notification.

For local distributor details in your country please consult the contacts page of our website.

Designed and Manufactured in New Zealand.



Hunza Factory
130 Felton Mathew Avenue
St. Johns, Auckland 1072
New Zealand

Ph: +64 9 528 9471

Fax: +64 9 528 9361

hunza@hunza.co.nz

www.hunza.co.nz

