

Tree Mount Kit

Cat. No. SSP/T

Cat. No. SSP/TS



The Hunza Tree Mount Kit enables an NPS Spot to be mounted onto a tree to create moon lighting effects. A cable connection can be made at the rear of the dome. The kit consists of a mounting dome and three 316 stainless steel bolts. The bolts initially fix the dome 40mm (1½") out from the trees surface, which allows the three to grow without causing any harm.

An alternative mounting option is the rubber strap. The kit consists of of a mounting dome and a one meter adjustable rubber strap which expands as the tree grows.

Both kits come with a female NPS adaptor.

Ordering Information

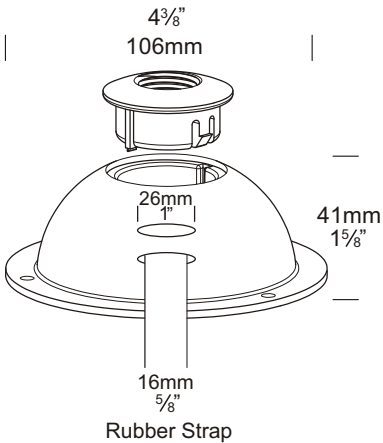
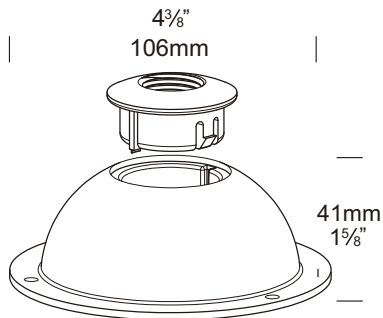
Kit Type

Material

SSP/T - Tree Mount Kit
 SSP/TS - Tree Mount Kit Rubber
 Strap

Black UV stable glass filled polypropylene

Ordering example: SSP/T - Tree Mount Kit
 SSP/TS - Tree Mount Kit with Rubber Strap



Construction

Dome and Inserts

Molded from glass filled polypropylene with snap in 1/2" NPS female adaptor.

Rubber Strap

1 meter (39") x 16mm (5/8") rubber strap. A longer strap is available for larger trees.

Features

Adaptor

Female adaptor for NPS thread.

Glass filled Polypropylene

Suitable for use with aluminium, copper and 316 stainless steel luminaires

Mounting

The Tree Mount dome is secured to the tree with three 90mm (3½") 316 stainless steel bolts. The Hunza NPS Spot is screwed into the 1/2" NPS adaptor.

The Tree Mount Rubber Strap dome is secured to the tree with the adjustable rubber strap. The strap is supplied in a 1 meter length and can be tightened against the tree.