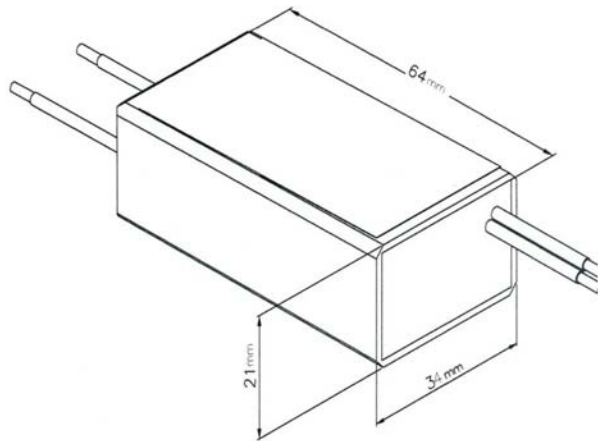


T-HET75 Electronic Transformer

This small electronic transformer is ideal for use with Hunza exterior lighting. Being PVC potted, it is awarded with an IP rating of 67. Having a load bearing that spans 20 to 75 watts making it an ideal solution for Hunza garden lighting installations. When used in conjunction with the Hunza Extra Long Floor Canister, it makes installing one transformer per luminaire quick, easy and tidy.
NOTE: Maximum distance of 2 metres from secondary / 12V to luminaire.

Electrical

Maximum load	75W
Minimum load with dimmer	20W
Input	216-264V 50/60Hz
Output at Max. load	11.8V 40kHz
Input current at Max. load	0.32A
Output current at Max. load	6.25A
Power factor Min.	0.95
Dimmable	
EMC (RFI)	EN 55015
Harmonics	EN 61000
Safety	EN 61347
Immunity	EN 61547/61047
SELV	



Mechanical and Thermal

Dimensions (mm)	21 x 34 x 64
Weight	100 grams
Lead wire length	6"
Tc Max	80°C
Ta Max	50°C
Output wire –	Black 16AWG 150°C
Input wire –	Blue, Brown Fep+Fep 0.75mm ²
	450V 180°C
Waterproof potting	
PC plastic casing	



Safety Instructions:

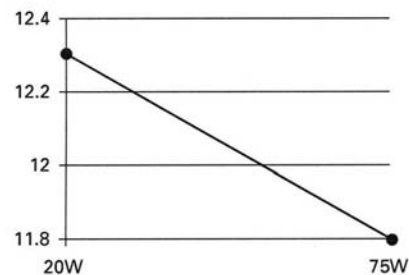
1. Please note national installation regulations.
2. The measurement of secondary voltage can only be done with suitable measuring instruments.
3. Wire diameter:
Input - 0.75mm².
Output - 1.3mm².

Standards

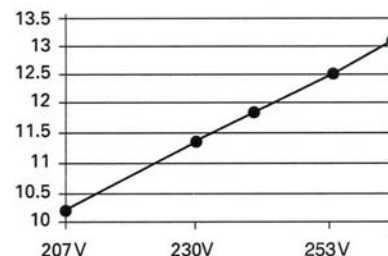
VDE and VDE-EMV approved
Transformer meets CE standards



Output Voltage vs. Load at 240V



Output vs. Input at Max. Load



Short Circuit and Thermal Protection

Electronic internal resettable short circuit protection. Auto-Reset thermal cut-off @ 125C.

T-HET75 Electronic Transformer

