

# Pillar Pagoda Lite

Cat. No. PILPGL  
 Cat. No. PILPGL/R  
 Cat. No. PILPGLGU



The Pillar Pagoda Lite has a G4 and MR16 lamp. The G4 lamp can be used to produce a general lighting effect, while the MR16 may be used for uplighting or downlighting.

The Retro™ is a 110/240-12 ac mains option suited to an installation where mounting a transformer is a problem, e.g. a brick wall where there is only the cable protruding out of the wall and it is not an option to recess the transformer or when replacing an existing light fitting. The base size increases in size to accommodate the encapsulated IP66 dimmable transformer.

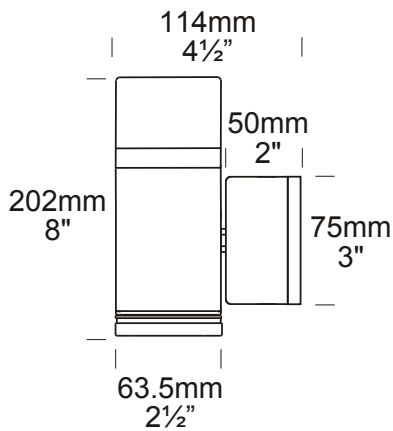
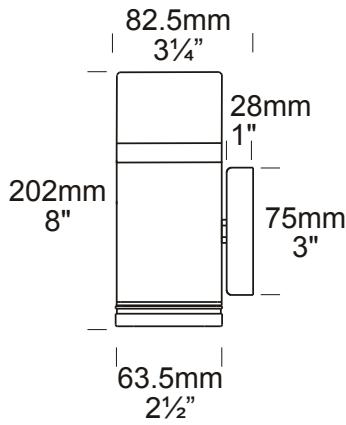
This luminaire is machined from a choice of 10mm solid aluminium with a UV stable powder coated finish, solid copper or 316 stainless steel with a clear, tempered, flush glass lens and high temperature silicon gaskets.

A GU10 version of this luminaire is also available for line voltage lamps.

## Ordering Information

Luminaire Type	Material/Finish	Accessories
PILPGL - Pillar Pagoda Lite	BK - Black BZ - Bronze	CJK150 - Cable Joint Kit GG - Glare Guard
PILPGL/R - Pillar Pagoda Lite Retro	CT - Corten DG - Dark Grey	HCL - Hex Cell Louvre
PILPGLGU - Pillar Pagoda Lite GU10	OG - Olive Green STAR - Silver Star WB - White Birch WH - White COP - Copper SS - Stainless Steel	LENSBOLOP - Opaque Lens LENSSTEPF - Frosted Lens WBAP - Wall Box Adaptor Plate

Ordering example: PILPGL BK - Pillar Pagoda Lite in Black  
 PILPGL/R COP - Pillar Pagoda Lite Retro in Copper  
 PILPGLGU SS - Pillar Pagoda Lite GU10 in Stainless Steel  
 LENSSTEPF - Frosted Lens  
 (accessories ordered separately)



Retro™

## Luminaire Construction

**CNC machined from one of the following metals:**

### Aluminium

High corrosion resistant aluminium with chromate substrate and high UV resistant polyester powder coat.

Body: 63.5mm (2½") x 10mm (3/8") tube.

Base: 2mm (1/16") hand spun aluminium.

Back Plate: cast from virgin high corrosion resistant CC401 low copper aluminium alloy.

Colours:

Black, Bronze, Corten, Dark Grey, Olive Green, Silver Star, White, White Birch.

### Copper

Body: 63.5mm (2½") x 10mm (3/8") tube.

Base: 2mm (1/16") hand spun copper.  
Back Plate: forged brass.

### 316 Stainless Steel

Body: 63.5mm (2½") x 10mm (3/8") tube.

Base: 2mm (1/16") hand spun stainless steel.

Back Plate: investment cast and CNC machined stainless steel.

## Mounting

**12 volt** - the luminaire is mounted to the wall using two screws through a shallow base 16mm (5/8") in depth. A Wall Box Adaptor Plate is available as an accessory to fit 3.0 and 4.0 junction boxes for USA/Canada.

**Retro** - a mounting plate is fixed to the wall using two screws and then the luminaire is fixed to the mounting plate.

## Features

### Lens

UV stable clear polycarbonate with stainless steel anti-glare mesh and 10mm (3/8") clear flush fit shatter resistant glass.

Lifetime Warranty

### Gaskets

Silicone, iron impregnated 220°C (428°F).

### Lamp Holders

G4, MR16 & GU10 - 350°C (662°F) ceramic multi contact lamp holder with 250°C (480°F) Teflon cables.

G9 - 280°C (536°F) ceramic lamp holder with 250°C (480°F) Teflon cables.

## Accessories

**Cable Joint Kit** (Cat. CJK150). Not Approved for USA/Canada.

**Glare Guard** (Cat. GG).


**Hex Cell Louvre** (Cat. HCL).

**Opaque Lens** (Cat. LENSBOLOP).

**Frosted Lens** (Cat. LENSSTEPF).

**Wall Box Adaptor Plate** (Cat. WBAP).  
For 12 volt luminaires for USA/Canada.

## Standards

IP66, UL1838, 

## Luminaire Weight

12 volt - **Aluminium** - 0.860kg (1lb 14oz)

**Copper** - 1.900kg (4lb 3oz)

**Stainless Steel** - 1.800kg (3lb 15oz)

Retro - **Aluminium** - 1.200kg (2lb 10oz)

**Copper** - 2.200kg (4lb 13oz)

**Stainless Steel** - 2.100kg (4lb 10oz)

## Power Supply

**12 volt** - Hunza Inground or Wall Mount Transformer: not included.

USA and Canada

Hunza Wall Mount Transformer: not included.

**Retro** - Hunza 110/240-12 volt ac silicone encapsulated electronic transformer built into the Retro base. Dimmable with a suitable dimmer.

## Lamp Options

G4 - 5, 10 or 20 watt lamp max.

MR16 - 20 watt lamp max.

G9 - 25 watt lamp max.

GU10 - 25 or 35 watt lamp max.

USA and Canada

G4 - 5, 10 or 20 watt lamp max.

MR16 - 20 watt lamp max.

G9 - 25 watt lamp max.

GU10 - lamp not supplied.