

Euro Twin Bar Lite

Cat. No. ETBL



The Euro Twin Bar Lite is an extra compact luminaire designed for situations where the fixture needs to be very unobtrusive or concealed. This luminaire has two individual spotlights which can be aimed in two entirely different directions and are ideal for illuminating bushes, trees or any landscape features. Each lite has a fully adjustable arm allowing 360 degree rotation and 0 to 90 degree elevation adjustment. The heads are mounted on a 250mm (10") bar with twin ground spikes.

Ordering Information

Luminaire Type

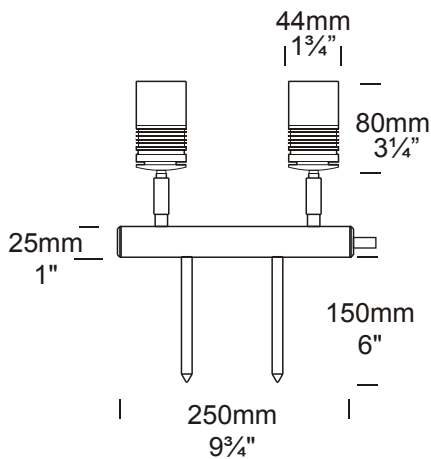
ETBL - Euro Twin Bar Lite

Material

COP - Copper
SS - Stainless Steel

Accessories

CJK150 - Cable Joint Kit
LENSEURF - Frosted Lens
/300 - 300mm (12") Spike



Ordering Example: ETBL COP - Euro Twin Bar Lite in Copper

ETBL/300 SS - Euro Twin Bar Lite in 316 Stainless Steel 300mm (12") Spike
(accessories ordered separately)

HUNZA™ PURE
OUTDOOR
LIGHTING

HUNZA FACTORY
130 Felton Mathew Ave
Glen Innes
Auckland 1072
New Zealand

Ph: 64-9-528 9471
Fax: 64-9-528 9361
hunza@hunza.co.nz
www.hunzalighting.com

INTERNATIONAL CONTACTS:
[http://www.hunzalighting.com/
contact.php](http://www.hunzalighting.com/contact.php)
Specification may change without notice.
Manufactured in New Zealand.
© 2016 Hunza Holdings Ltd.

Luminaire Construction

CNC machined from one of the following metals:

Copper

Body: 45.4mm (1³/₄") x 80mm (3") copper rod.

Bar: 25.4mm (1") x 1.42mm (1/16") copper tube.

Spike: 11mm (7/16") x 150mm (6") copper rod.

316 Stainless Steel

Body: 45.4mm (1³/₄") x 80mm (3") stainless steel rod.

Bar: 25.4mm (1") x 1.42mm (1/16") stainless steel tube.

Spike: 11mm (7/16") x 150mm (6") stainless steel rod.

Mounting

Ground spikes 150mm (6") or 300mm (12") mounted directly into the ground.

Features

Lens

6mm (1/4") clear flush fit shatter resistant glass with Hex Cell Louvre for glare control.

Lifetime Warranty.

Gaskets

Silicone, iron impregnated 220°C (428°F).

Lamp Holder

MR11 - 350°C (662°F) ceramic multi contact lamp holder with 250°C (480°F) Teflon cables.

Accessories

Cable Joint Kit (Cat. CJK 150). Not approved for USA/Canada.

Frosted Lens (Cat. LENSEURF).

300mm (12") Spike (Cat. /300).

Swivel

Copper luminaires - 360° rotation and 0-90° elevation, solid brass with anti rust spring.

Stainless steel luminaires - 360° rotation and 0-90° elevation, full stainless steel construction.

Standards

IP66, 

Luminaire Weight

Copper - 2.840kg (6lb 4oz)

Stainless Steel - 2.414kg (5lb 5oz)

Power Supply

Hunza Inground or Wall Mount Transformer: not included.

USA and Canada

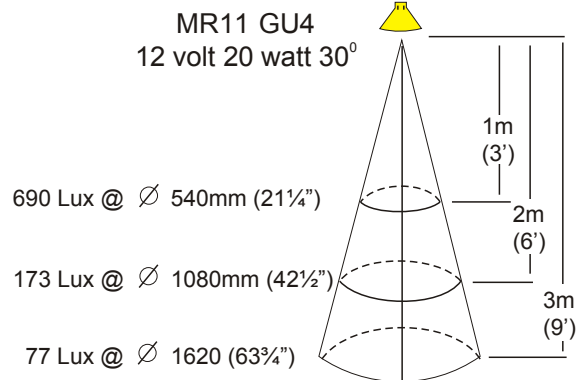
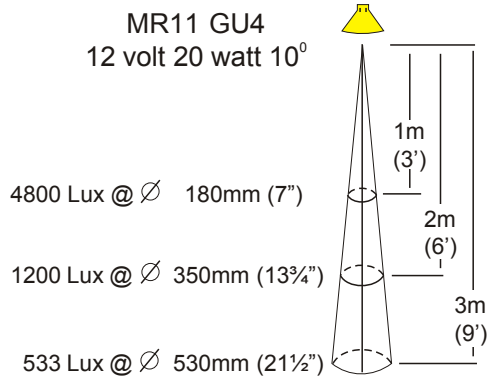
Hunza Wall Mount Transformer: not included.

Lamp Options

MR11 - 20 watt lamp max.

USA and Canada

MR11 - 10 watt lamp max.



HUNZA™ PURE
OUTDOOR
LIGHTING

HUNZA FACTORY
130 Felton Mathew Ave
Glen Innes
Auckland 1072
New Zealand

Ph: 64-9-528 9471
Fax: 64-9-528 9361
hunza@hunza.co.nz
www.hunzalighting.com

INTERNATIONAL CONTACTS:
[http://www.hunzalighting.com/
contact.php](http://www.hunzalighting.com/contact.php)
Specification may change without notice.
Manufactured in New Zealand.
© 2016 Hunza Holdings Ltd.