

# Euro Twin Pole Lite

Cat. No. ETPL  
Cat. No. ETPL/R



The Euro Twin Pole Lite is for situations where the luminaire needs to be discreet. The smaller sized MR11 lamp is utilised to achieve this. Each spotlight can be aimed in any direction. This luminaire has fully adjustable arms allowing 360 degree rotation and 0-90 degree elevation with a built-in glare guard. The Euro Twin Pole Lite is ideal for path lighting as well as tree lighting or the heads may be aimed downward to eliminate vertical light.

The Retro version, which is a mains option, avoids the need to bury a transformer. The 110/240-12 volt electronic transformer is built into the pole and is a double insulated safety isolating transformer. This changes the luminaire to an IP56 rating.

## Ordering Information

### Luminaire Type

ETPL - Euro Twin Pole Lite  
ETPL/R - Euro Twin Pole Lite  
Retro

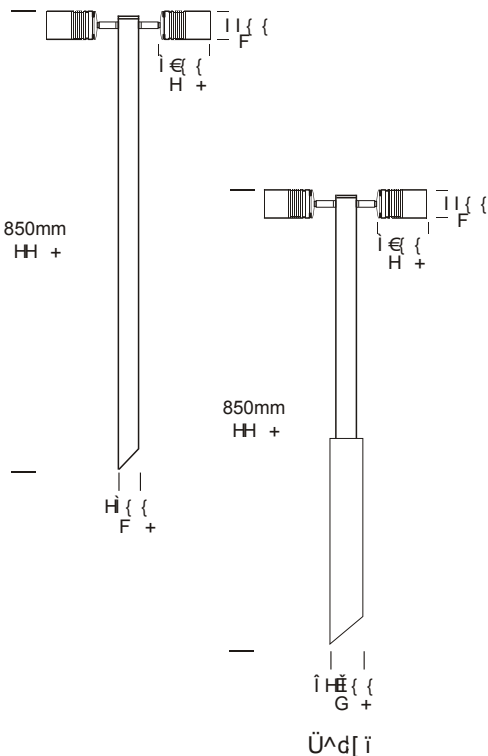
### Material/Finish

COP - Copper  
SS - Stainless Steel

### Accessories

CJK150 - Cable Joint Kit  
LENSEURF - Frosted Lens

Ordering Example: ETPL COP - Euro Twin Pole Lite in Copper  
ETPL/R SS - Euro Twin Pole Lite Retro in  
Stainless Steel  
LENSEURF - Frosted Lens  
(accessories ordered separately)



**HUNZA**™ PURE  
OUTDOOR  
LIGHTING

HUNZA FACTORY  
130 Felton Mathew Ave  
Glen Innes  
Auckland 1072  
New Zealand

Ph: 64-9-528 9471  
Fax: 64-9-528 9361  
hunza@hunza.co.nz  
www.hunzalighting.com

INTERNATIONAL CONTACTS:  
[http://www.hunzalighting.com/  
contact.php](http://www.hunzalighting.com/contact.php)  
Specification may change without notice.  
Manufactured in New Zealand.  
© 2016 Hunza Holdings Ltd.

## Luminaire Construction

**CNC machined from one of the following metals:**

### Copper

Body: 45.4mm (1¾") x 80mm (3") copper rod.

Pole: 38mm (1½") x 850mm (33½") copper tube.

Retro Pole: 38mm (1½") x 400mm (15¾") and 63.5mm (2½") x 450mm (17¾") copper tube.

### 316 Stainless Steel

Body: 45.4mm (1¾") x 80mm (3") stainless steel rod.

Pole: 38mm (1½") x 850mm (33½") stainless steel tube.

Retro Pole: 38mm (1½") x 400mm (15¾") and 63.5mm (2½") x 450mm (17¾") stainless steel tube.

## Mounting

Pole 850mm (33½") directly mounted into the earth. Retro - set in concrete.

## Features

### Lens

6mm (1/4") clear flush fit shatter resistant glass with Hex Cell Louvre for glare control.

Lifetime Warranty.

### Gasket

Silicone, iron impregnated 220°C (428°F).

### Lamp Holder

MR11 - 350°C (662°F) ceramic multi contact lamp holder with 250°C (480°F) Teflon cables.

## Accessories

**Cable Joint Kit** (Cat. CJK150). Not approved for USA/Canada.


**Frosted Lens** (Cat. LENSEURF).

## Swivel

**Copper luminaire** - 360° rotation and 0-90° elevation, solid brass with anti rust spring.

**Stainless steel luminaires** - 360° rotation and 0-90° elevation, full stainless steel construction.

## Standards

IP56/66, UL1838, 

## Luminaire Weight

12 volt - **Copper** - 2.500kg (5lb 8oz)

**Stainless Steel** - 2.000kg (4lb 6oz)

Retro - **Copper** - 3.400kg (7lb 7oz)

**Stainless Steel** - 3.100kg (6lb 13oz)

## Power Supply

**12 volt** - Hunza Inground or Wall Mount Transformer: not included.

### USA and Canada

Hunza Wall Mount Transformer: not included.

**Retro** - Hunza 110/240-12 volt AC silicone encapsulated electronic transformer is built into the pole.

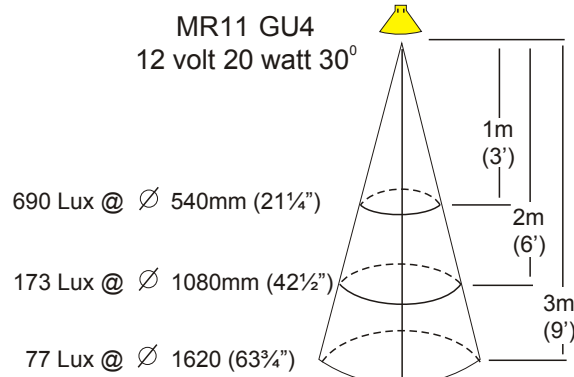
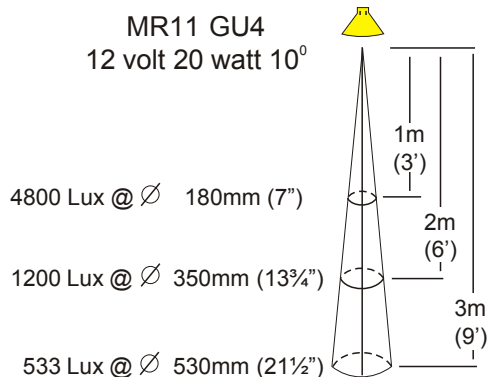
Dimmable with a suitable dimmer.

## Lamp Options

MR11 - 20 watt lamp max.

### USA and Canada

MR11 - 10 watt lamp max.



**HUNZA**™ PURE  
OUTDOOR  
LIGHTING

HUNZA FACTORY  
130 Felton Mathew Ave  
Glen Innes  
Auckland 1072  
New Zealand

Ph: 64-9-528 9471  
Fax: 64-9-528 9361  
hunza@hunza.co.nz  
www.hunzalighting.com

INTERNATIONAL CONTACTS:  
[http://www.hunzalighting.com/  
contact.php](http://www.hunzalighting.com/contact.php)  
Specification may change without notice.  
Manufactured in New Zealand.  
© 2016 Hunza Holdings Ltd.