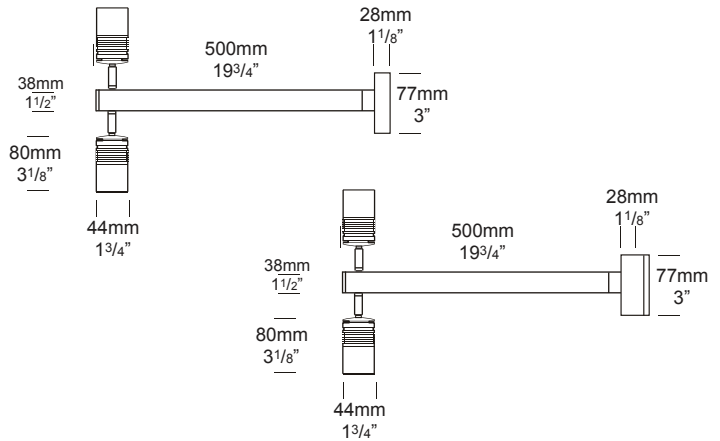


## Euro Twin Sign Lite

|          |
|----------|
| PROJECT: |
| TYPE:    |
| SOURCE:  |
| NOTES:   |

### PURELED SPECIFICATIONS PER HEAD

|                            |  |
|----------------------------|--|
| <b>LED Chip</b>            | Cree XHP-50-2 Plug and Play field replaceable LED board  |
| <b>Luminaire Output</b>    | 420 Lumens @ 700mA (4 watts),<br>240 Lumens @ 350mA (2 watts),<br>delivered from luminaire with unobstructed beam. |
| <b>Lumens Per Watt</b>     | 105 Lumens minimum @ 4 watts,<br>delivered from luminaire with unobstructed beam                                   |
| <b>CRI (3000K)</b>         | 90+  |
| <b>Colour Temperatures</b> | 2700K, 3000K, 4000K  |
| <b>Beam Angles</b>         | 15, 25, 38, 60   |
| <b>Ingress Protection</b>  | IP66   |
| <b>Warranty</b>            | Electronics = 5 years<br>Body Cop/ SS = 10 years   |
| <b>Standards</b>           | AS/NZS 61046, EN60598<br>cUL 1838, 2108, 1598<br>CSA C22.2 No. 250.7, No. 250.0-08,<br>No. 250.0<br>CE             |



### PRODUCT CONFIGURATION

Please fill in appropriate codes into boxes provided

Cat. No. ETSGNL/L

| Luminaire                | Power | Material/ Finish   | Beam   | Colour  | Accessories         |
|--------------------------|-------|--------------------|--------|---------|---------------------|
| ETSGNL/L                 |       |                    |        |         |                     |
| S SERIES, REMOTE DRIVER  |       | COP SOLID COPPER   | 15 15° | 2 2700K | LF FROSTED LENS     |
| D3 12VAC, 2W INTEGRAL    |       | SS STAINLESS STEEL | 25 25° | 3 3000K | CJK CABLE JOINT KIT |
| D7 12VAC, 4W INTEGRAL    |       |                    | 38 38° | 4 4000K | LKN LOCKING KNUCKLE |
| R RETRO, 110/240V DRIVER |       |                    | 60 60° |         | HCL HEX CELL LOUVRE |

**SERIES, REMOTE DRIVER REQUIRED:**  
Constant current driver  
Individual fixtures require 12vdc @ 700mA maximum

**12VAC INTEGRAL DRIVER:**  
Hunza integrated Plug and Play Driver (included)  
Input: 12VAC, 5watt total.  
Output: 6vdc @ D3=350mA, D7=700mA

**110/240VAC RETRO DRIVER:**  
Input: 120/240vac, 10 watt total (driver included)  
Output: 12vdc, 700mA  
0-10 volt dimming  
(USA - non dimming)

**OTHER LAMP OPTIONS:**  
ETSGNL/H - MR11 Halogen 12V Lamp  
ETSGNL/M11L - MR11 LED Retrofit 12V Lamp (lamps vary by market - please refer to supplier for details)

[Click here for Remote Power Supply Guidance Charts](#)

[Click here for halogen specification sheet](#)

# LUMINAIRE CONSTRUCTION

**CNC machined from one of the following metals:**

**Copper:**

Body: 45.4mm x 80mm (1<sup>3</sup>/<sub>4</sub>" x 3<sup>1</sup>/<sub>8</sub>") copper rod.

Pole: 38mm x 500mm (1<sup>1</sup>/<sub>2</sub>" x 19<sup>3</sup>/<sub>4</sub>") copper tube.

**316 Stainless Steel**

Body: 45.4mm x 80mm (1<sup>3</sup>/<sub>4</sub>" x 3<sup>1</sup>/<sub>8</sub>") stainless steel rod.

Pole: 38mm x 500mm (1<sup>1</sup>/<sub>2</sub>" x 19<sup>3</sup>/<sub>4</sub>") stainless steel tube.

**Lens:**

6mm (1/4") extra clear low iron flush fit shatter resistant glass.

Lifetime Warranty.

**Gaskets:**

Silicone, iron impregnated 220°C (428°F)

**Knuckles:**

Copper luminaires: 360° rotation and 0-90° elevation, solid brass with anti rust spring.  
Stainless Steel luminaires: 360° rotation and 0-90° elevation, full stainless steel construction.

**Mounting:**

12 volt: The luminaire is mounted to the wall using two 316 stainless screws through a shallow base 15mm (5/8") in depth. A Wall Box Adaptor Plate is available as an accessory to fit 3.0 and 4.0 Junction boxes for USA/Canada.

Retro™ (110/240-12volt): A mounting plate is fixed to the wall using two screws and the luminaire is fitted to the mounting plate.

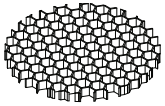
**Luminaire Weight:**

Low Voltage

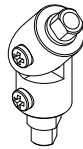
Cop: 2.000kg (4lb 7oz)

SS: 1.500kg (3lb 5oz)

## ACCESSORIES



Hex Cell Louvre

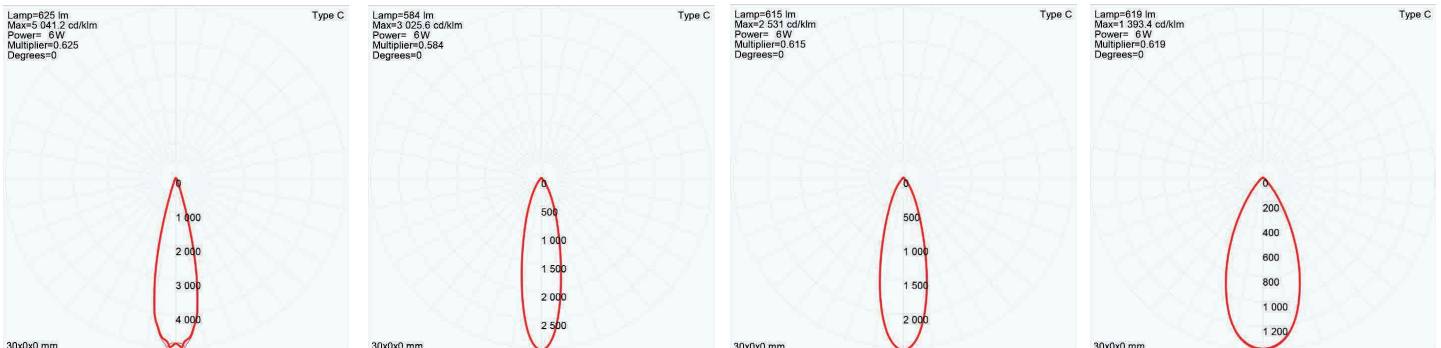


Locking Knuckle

## BEAM ANGLES

High efficiency PMMA TIR lenses. Field replaceable

IES files available for download: [hunzalighting.com/downloads](http://hunzalighting.com/downloads)



15° FWHM TIR

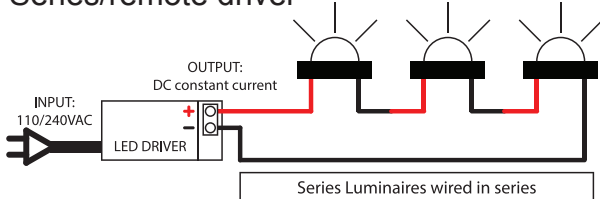
25° FWHM TIR

38° FWHM TIR

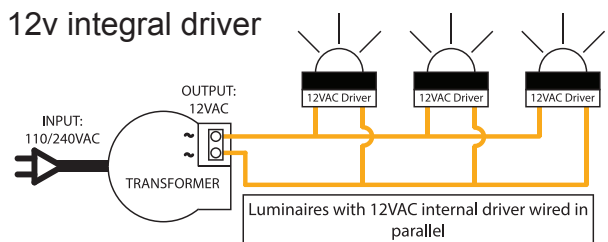
60° FWHM TIR

## WIRING GUIDE

Series/remote driver



12v integral driver



Available for download: [hunzalighting.com/downloads](http://hunzalighting.com/downloads)

Diagrams are a guide only, wire colours and polarity may change depending on fixture and country

Specifications may change without notification

Aug 2017

**HUNZA**™ PURE OUTDOOR LIGHTING

**HUNZA FACTORY** 130 Felton Mathew Ave  
Saint Johns  
Auckland 1072  
New Zealand

Ph: +64-9-528 9471  
Fax: +64-9-528 9361  
hunza@hunza.co.nz  
www.hunzalighting.com

**INTERNATIONAL CONTACTS:**  
<http://www.hunzalighting.com/contact.php>

This document contains proprietary information of Hunza. Its receipt or possession does not convey any rights to reproduce or disclose its content.