

## Bollard ULTRA

PROJECT:

TYPE:

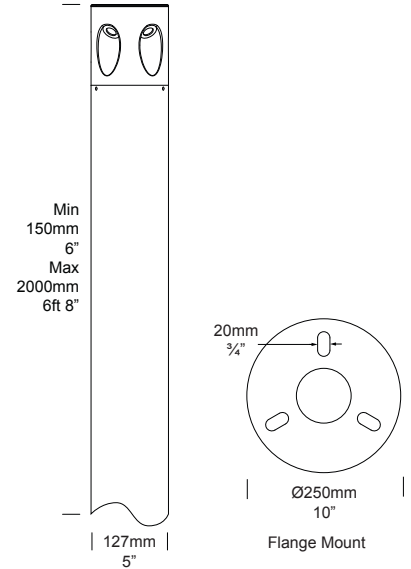
SOURCE:

NOTES:

### SPECIFICATIONS



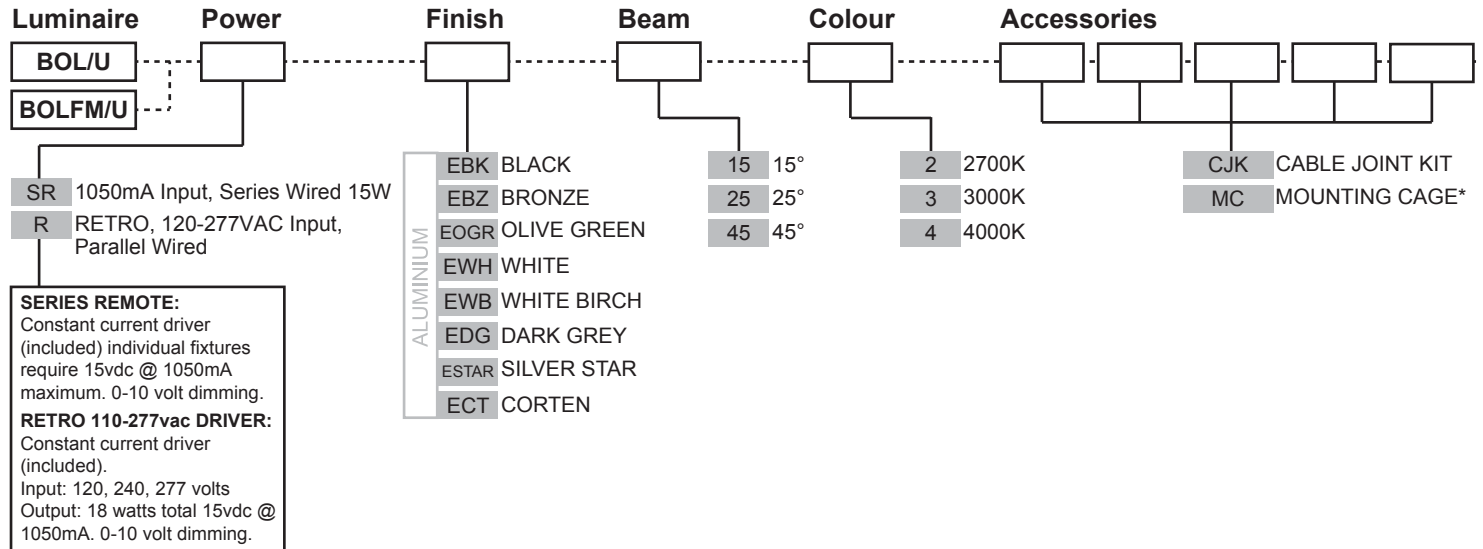
<b>LED Chip</b>	Cree XPG-3 field replaceable LED board
<b>Luminaire Output</b>	1200 Lumens @ 1050mA (15 watts), delivered from the Luminaire with unobstructed beam
<b>Lumens Per Watt</b>	1200 Lumens minimum @ 15 watts, delivered from Luminaire with unobstructed beam
<b>CRI (3000K)</b>	90+ Standard
<b>Colour Temperatures</b>	2700K, 3000K, 4000K
<b>Beam Angles</b>	15, 25, 45
<b>Ingress Protection</b>	IP66
<b>Warranty</b>	Electronics = 5 years Body Aluminium = 5 years
<b>Standards</b>	BS/EN 60598.2.2 cUL 1598 CE



### PRODUCT CONFIGURATION

Please fill in appropriate codes into boxes provided

Cat. No. BOL/U



\*Only available for Flange Mount Version

ADDITIONAL COMMENTS:

# LUMINAIRE CONSTRUCTION

**CNC machined from one of the following metals:**

**Aluminium:**

End cap: 130mm (5 $\frac{1}{8}$ " ) solid aluminium rod.  
Head: 130mm (5 $\frac{1}{8}$ " ) solid aluminium rod.  
Pole: 127mm (5" ) high corrosion resistant aluminium tube with chromate substrate and high UV resistant polyester powder coat.  
Colours: Black, Bronze, Silver Star, White, White Birch, Olive Green, Dark Grey, Corten.

**Lens:**

TIR lens with lifetime warranty.

**Mounting:**

The pole is cast into concrete or mounted via flange mount - please refer to the Hunza website for mounting instructions.

**Luminaire Weight:**

4kg (8lb 13oz) - head only

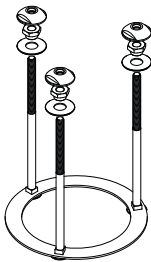
**Cable:**

Water resistant rubber.

**Gaskets:**

Silicone, iron impregnated 220°C (428°F).

## ACCESSORIES



Mounting Cage

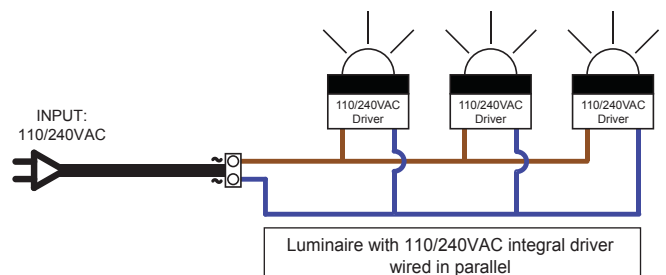
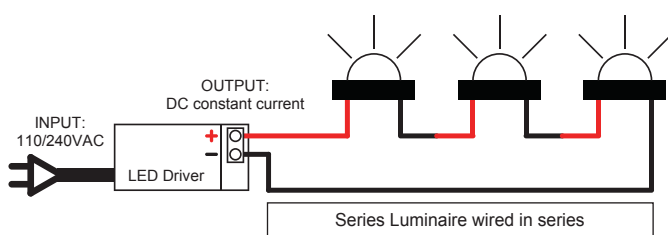
## BEAM ANGLES

High efficiency Reflectors. Field replaceable

IES files available for download: <http://www.hunzalighting.com/download.php>

## WIRING GUIDE

Available for download: [www.hunzalighting.com/download.php](http://www.hunzalighting.com/download.php)



Diagrams are a guide only, wire colours and polarity may change depending on fixture and country

Specifications may change without notification

Aug 2017

**HUNZA**™ PURE OUTDOOR LIGHTING

**HUNZA FACTORY** 130 Felton Mathew Ave  
Saint Johns  
Auckland 1072  
New Zealand

Ph: +64-9-528 9471  
Fax: +64-9-528 9361  
hunza@hunza.co.nz  
www.hunzalighting.com

**INTERNATIONAL CONTACTS:**  
<http://www.hunzalighting.com/contact.php>

This document contains proprietary information of Hunza. Its receipt or possession does not convey any rights to reproduce or disclose its content.