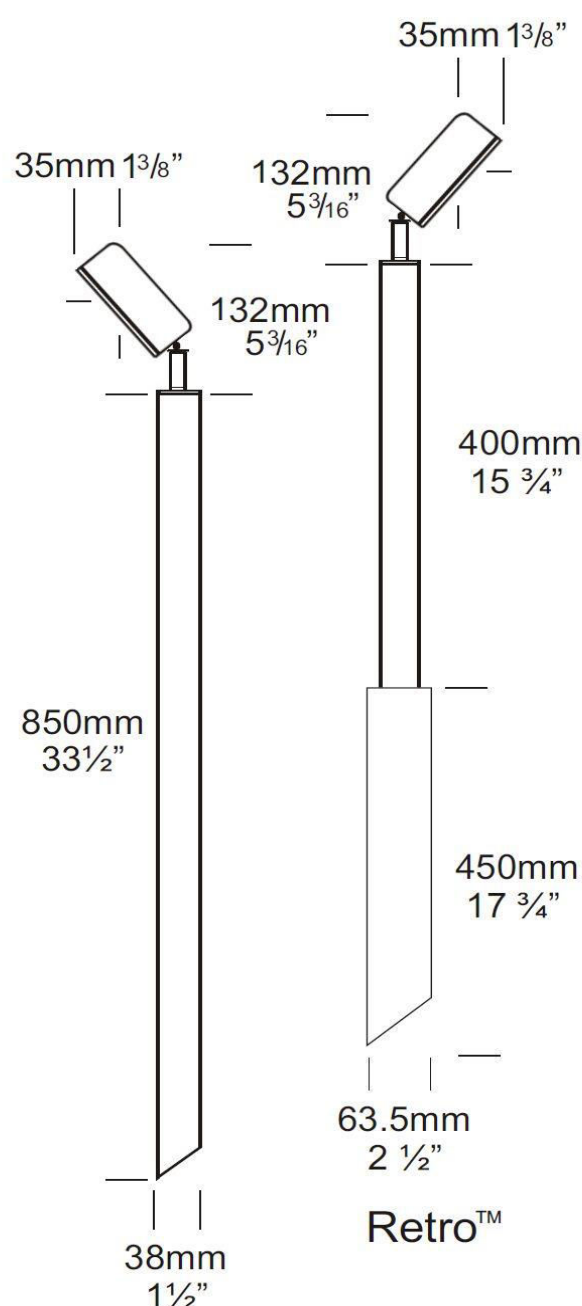


Border Lite PURE LED

Cat. No. BL/L



PURE LED
Pure Performance



UK & European Specification

The Border Lite Pure LED is ideal for path lighting giving a wide spread of light with no upward projection. This luminaire has a fully adjustable arm allowing 360 degree rotation and 0-90 degree elevation.

The Hunza PURE LED system uses Cree XTE chips for maximum performance and long life. Power supply options include a choice of integral 12 or 110 / 240 volt (Retro) drivers which are mounted in the pole. There is also an external remote driver (series connection) option. The PURE LED system incorporates Hunza's Plug-and-Play system for easy replacement of either the LED engine or integral driver in the field.

This luminaire is equipped with Hunza's Anti-Syphon™ (not Retro luminaires) system which has been designed to counter the problem of wicking (siphoning) of water through the supply cable into the lamp housing, causing water to condense and dramatically shorten the life of the LED and Luminaire.

*At 700mA this fitting is the equivalent of a 20w halogen fitting.

*At 1050mA this fitting is the equivalent of a 35w halogen fitting.

Ordering Information

Luminaire	Driver mA	Colour Temp	Accessories	Material/Finish
BL/L	S - Series	3 - 3000K	CJK - Cable	BK - Black
	D3 - 12v 350mA	4 - 4000K	Joint Kit	BZ - Bronze
	D7 - 12v 700mA		LENSBLC -	GN - Green
	RU - 110v 700mA		Clear Lens	STAR - Silver Star
	RE - 240v 700mA			WH - White
				WB - White Birch
				DG - Dark Grey
				OG - Olive Green
				RG - Beige
				PR - Primrose
				SBZ - Solid Bronze
				SS - 316 Stainless

Example: **BL/L S 3 CJK BK**

Luminaire Construction
CNC machined from one of the following metals:
Head: Cast from either 316 stainless steel, LG2 bronze or virgin high corrosion resistant CC401 low copper aluminum alloy, with chromate substrate and high UV resistant polyester powder coat.
Colour: Black, Bronze, Green, Silver Star, White, Birch, Dark Grey, Olive Green, Beige, Primose
Poles: Aluminium, Solid Bronze, 316 Stainless Steel 38mm (1½") x 850mm (33½") tube.
Retro™: Pole - 38mm (1½") x 410mm (16") tube. Transformer Pole - 63.5mm (2½") x 440mm (17½").
Luminaire Weight
12 volt Alum .800kg (1lb 8oz) SS 1.6kg (3lb 8oz) SBZ 1.7kg (3lb 12oz)
Retro™ Alum 2.00kg (4lb 6oz) SS 3.15kg (6lb 15oz) SBZ 3.4kg (7lb 8oz)

Features
Cable Water resistant rubber with HUNZA™ Anti-Syphon™ water barrier system.
Lens 3mm frosted shatter resistant glass. Lifetime Warranty.
Gaskets Silicone, 150°c (302°f)
Accessories Cable Joint Kit (Cat. CJK150) Clear Lens (Cat. LENSBLC)
<i>Swivel: Aluminium and Solid Bronze luminaires - 360° rotation and 0 - 90° elevation, solid brass</i>
<i>Stainless Steel luminaires - 360° rotation and 0 - 90° elevation, full stainless steel construction.</i>
Mounting Pole 850mm (33½") directly mounted inot the earth. Retro™- set in concrete

Technical Information
Standards AS/NZS 61046 IP56/IP66 UL 1838
LED Cree XTE Plug-and-Play, field replaceable LED board.
Lumen Output: 70 @ 350mA 120 @ 700mA
Lumens Per watt: 70 @ 1 watt 60 @ 2 watts
CRI Warm White (3000k): 85+
Colour Temp: 3,000 or 4,000K
Power Supply
External (Series) Driver Constant current driver Output: 3vdc at 700mA maximum
Integral 12 Volt Driver Buckbullet Driver: Input: 12vac 3watt at 700mA Output: 3vdc nominal, 350mA / 700mA
Transformer Hunza wall Mount Transformer for use with integral 12 volt driver
Retro 110/240 volt Driver HUNZA Plug and Play Driver Input: 120/240 vac 7 watt Output: 6 dc 700mA 0-10 volt dimming.

Border Lite LED driven at 700mA, lens Height 600mm (24")

