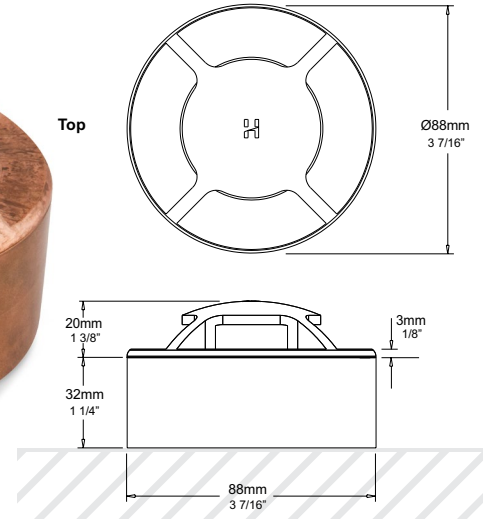


Surface Mount Path Light with PureLED

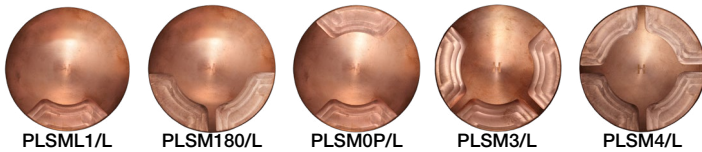
PROJECT:
TYPE:
SOURCE:
NOTES:

SPECIFICATIONS IP66

LED Chip	Cree XPG-3 Plug and Play field replaceable LED board
Luminaire Output*	120 Lumens @ 700mA (2 watts) 60 Lumens @ 350mA (1 watts)
Lumens Per Watt*	60 Lumens minimum @ 2 watts
LED Life Expectancy	50,000 hours L70
CRI (3000K)	90+
Colour Temperatures	2700K, 3000K, 4000K
Beam Angle	90°, 90° x 90°, 180°, 270°, 360°
Ingress Protection	IP66
Warranty	Electronics = 5 years Copper/Stainless Steel Body = 10 years
Standards	AS/NZS 61046, cUL 1838, 2108, CSA C22.2 No.250.7, No.250.0-08 CE
B Number	94.05



*Delivered from the Luminaire with unobstructed beam



PRODUCT CONFIGURATION

Please fill in appropriate codes into boxes provided

Cat. No. PLSM(1-4)/L

Luminaire	Power	Material/Finish	Colour	Accessories
PLSM1/L				
PLSM180/L				
PLSM0P/L				
PLSM3/L				
PLSM4/L				
	S 700mA Input, Series Wired 2W	COP SOLID COPPER	2 2700K	CJK CABLE JOINT KIT
	D3 12VAC Input, Parallel Wired 1W	SS STAINLESS STEEL	3 3000K	
	D7 12VAC Input, Parallel Wired 2W		4 4000K	
	D24 24VDC Input, Parallel Wired 2W			

S Series Wired - Remote Driver (Required Not Supplied): Constant current driver. Individual fixtures require 3VDC @ 700mA maximum
D3 D7 Hunza Buckbullet Driver (Included): Hunza™ integrated plug and play driver Input: 12VAC, 2W Total Output: D3 = 3VDC @ 350mA D7 = 3VDC @ 700mA

D24 24VDC Driver 24VDC input driver supplied 24VDC output driver required Input: 24VDC Output: 18VDC @ 700mA constant current (non dimming) Note: Not for USA

[Click here for 240v Remote Power Supply Guidance Charts](#)
[Click here for USA Remote Power Supply Guidance Charts](#)

Mar 2022 V2

*Due to continued product enhancements, specifications may change without notification.

LUMINAIRE CONSTRUCTION

CNC machined from one of the following metals:

316 Stainless Steel:

Body: solid 316 stainless steel 88mm (3 1/2") x 9mm (3/8").

End cap: solid 316 stainless steel 63.5 (2 1/2") rod.

Flange: 316 stainless steel 88mm (3 1/2") rod.

Copper:

Body: 88mm (3 1/2") x 9mm (3/8") copper tube.

End cap: solid copper 63.5mm (2 1/2") rod.

Flange: solid copper 88mm (3 1/2") rod.

Lens:

TIR Borosilica glass lens.

Lifetime warranty.

Gaskets:

Silicone, iron impregnated 220°C (428°F)

Mounting:

The luminaire is secured to the ground by three mounting screws.

Luminaire Weight:

Cop: 1.300kg (2lb 14oz)

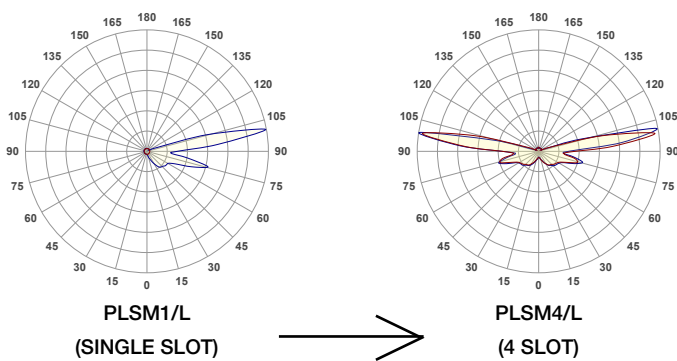
SS: 1.000kg (2lb 3oz)



BEAM ANGLES

High efficiency PMMA TIR lenses. Field replaceable

IES files available for download: hunzalighting.com/downloads

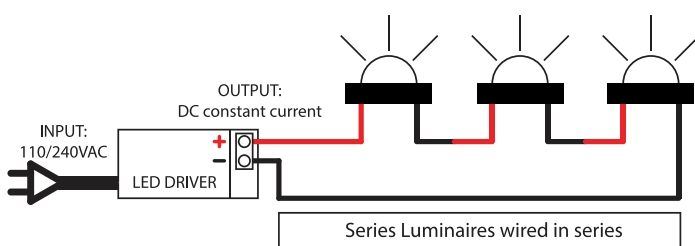


WIRING GUIDE

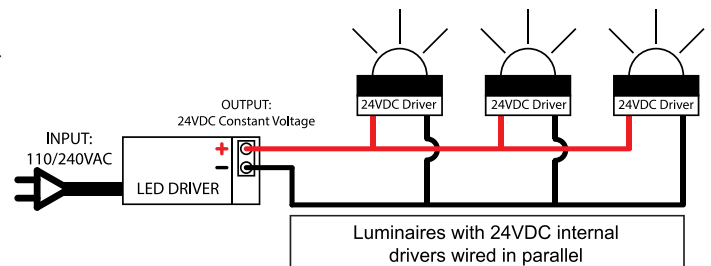
Available for download: hunzalighting.com/downloads

NOTE: Diagrams are a guide only, wire colours and polarity may change depending on fixture and country.

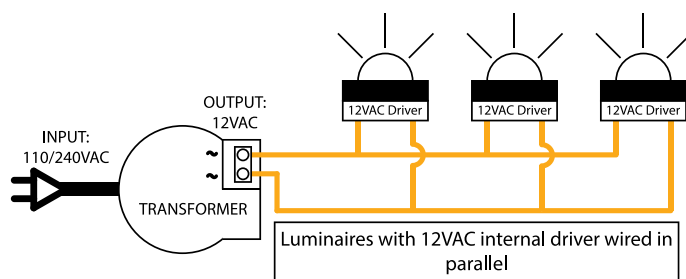
Series/Remote Driver



24VDC Integral Driver



12V Integral Driver



Mar 2022 V2

*Due to continued product enhancements, specifications may change without notification.



HUNZA LIGHTING
130 Felton Mathew Ave
Saint Johns
Auckland 1072
New Zealand

Ph: +64-9-528 9471
Fax: +64-9-528 9471
hunza@hunza.co.nz
www.hunzalighting.com

INTERNATIONAL CONTACTS:
www.hunzalighting.com/contact

This document contains proprietary information of Hunza™. Its receipt or possession does not convey any rights to reproduce or disclose its content.