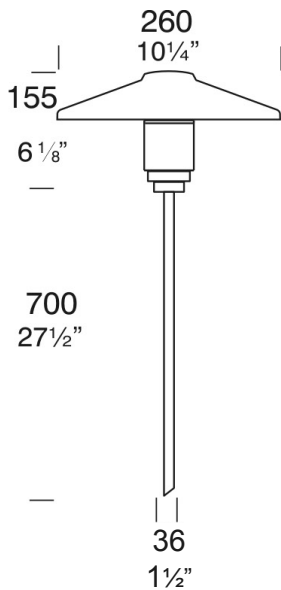


# Tier Lite

Cat. No. TL  
 Cat. No. TL/R  
 Cat. No. TLG9  
 Cat. No. TLGU



The Tier Lite is designed for illuminating medium level foliage. It is mounted on a 700mm pole to provide a soft pool of light suitable for a wide variety of landscape situations.

The Retro™, which is a mains option, avoids the need to bury a transformer. The 110/240-12 volt electronic transformer is built into the pole and is a double insulated safety isolating transformer this changes the luminaire to an IP56 rating.

A G9 and GU10 versions of this luminaire are also available for line voltage lamps.

## Ordering Information

Luminaire Type	Material/Finish	Accessories
TL - Tier Lite	BK - Black BZ - Bronze GN - Green STAR - Silver Star WH - White WB - Birch DG - Dark Grey OG - Olive Green RG - Beige PR - Primrose COP - Copper SS - 316 Stainless Steel	CJK150 - Cable Joint Kit - SS/G - Hunza Super Spike (not for Retro™) /R - Retro™ Transformer 110/240-12 volt G9 - G9 option GU10 - G10 option
Ordering Example: TL SS - Tier Lite in 316 Stainless Steel		
		SSP/G - Hunza Super Spike (Accessories ordered separately)

**HUNZA**™ PURE OUTDOOR LIGHTING

**HUNZA FACTORY**  
 130 Felton Mathew Ave  
 Glen Innes  
 Auckland 1072  
 New Zealand

Ph: 64-9-528 9471  
 Fax: 64-9-528 9361  
[hunza@hunza.co.nz](mailto:hunza@hunza.co.nz)  
[www.hunza.co.nz](http://www.hunza.co.nz)

**INTERNATIONAL CONTACTS:**  
[www.hunza.co.nz/contacts.php](http://www.hunza.co.nz/contacts.php)

Specifications may change without notice.  
 Manufactured in New Zealand.  
 © 2011 Hunza Holdings Ltd.

Ver 1.4

## Luminaire Construction

CNC machined from one of the following metals:

High corrosion resistant 63.5mm (2½") x 10mm (25/64") aluminium. End cap - solid aluminium 63.5mm (2½") rod, with chromate substrate and high UV resistant polyester powder coat

**Colours** Black, Bronze, Green, Silver Star, White.

**Copper** 63.5mm (2½") x 10mm (13/32"). End cap - solid copper 63.5mm (2½") rod.

**316 Stainless Steel** 63.5mm (2½") x 10mm (13/32"). End cap - solid 316 stainless steel 63.5mm (2½") rod.

Retro™:

Pole - 38.1mm (1½") x 410mm (16") tube.

Hood

260mm (10¼") x 1.2mm (1/16") hand spun aluminium, copper or 316 stainless steel.

## Mounting

Pole 700mm (27½") directly mounted into the earth or for extra stability in sand or loose ground use a Hunza Super Spike. Retro™ set in concrete.

## Features

Lens:

UV stable polycarbonate.

Anti Glare Hood:

Diameter 260mm (10¼"). No upward light or glare projected.

Gaskets:

Silicone, iron impregnated 220°C (428°F).

Lamp Holders:

G4 - 350°C (662°F) ceramic multi contact lamp holder with 250°C (480°F) teflon cables.

G9 - 280°C (536°F) ceramic lamp holder with 250°C (480°F) teflon cables.

Accessories:

Cable Joint Kit (Cat. CJK150)

Not approved for USA/Canada. Hunza Super Spike, not for Retro™ option (Cat. SSP/G).

Retro™ transformer 110/240-12 volt (Cat. /R) IP56.

G9 Option (Cat. G9).  
GU10 Option (Cat. GU)

## Standards

IP56/IP66



UL1838

## Luminaire Weight

12 volt Alum .915kg (2lb)  
Cop 1.590kg (5lb 11oz)  
SS 1.450kg (3lb 3 oz)  
Retro™ Alum 2.00kg (4lb 6oz)  
Cop 3.00kg (6lb 9oz)  
SS 2.90kg (6lb 6 oz)

## Power Supply

HUNZA™ Inground or Wall Mount Transformer: not included.

RETRO™ IP56

HUNZA™ 110/240-12 volt ac silicone encapsulated electronic transformer is built into the pole. Dimmable with a suitable dimmer

USA and Canada:

HUNZA™ Wall Mount Transformer: not included.

Luminaire: supplied with

G4 Bi-Pin 5, 10, 20 watt lamp max.

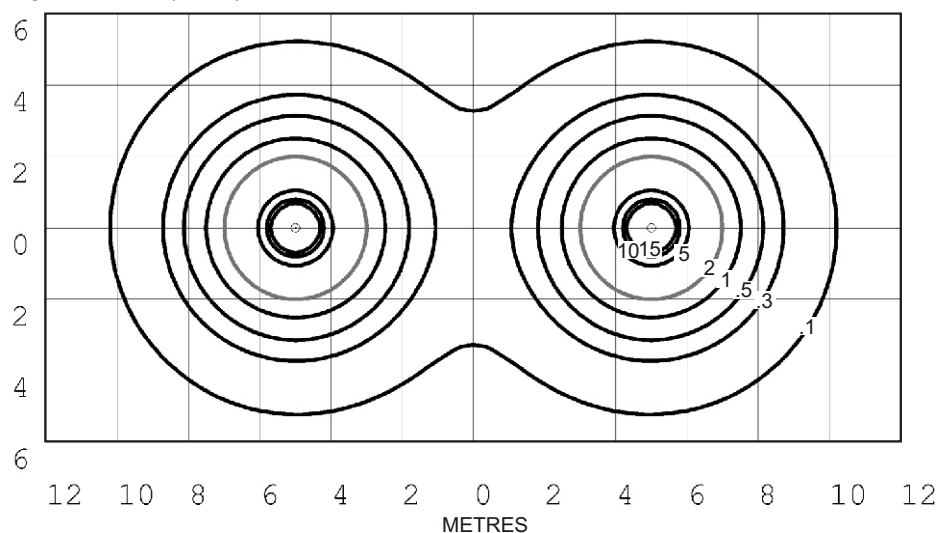
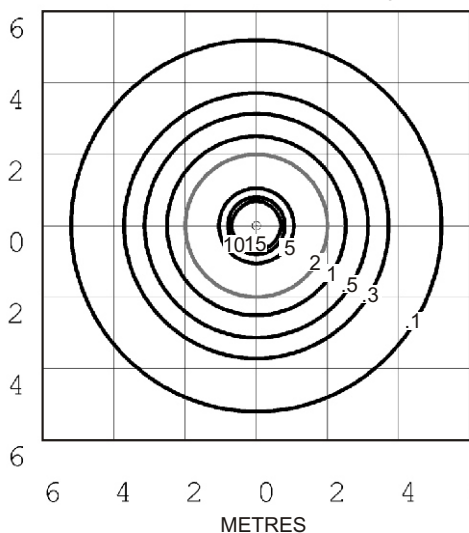
Retro™ G4 Bi-Pin 10, 20 watt lamp max.

GU10 - 20 watt lamp max  
G9 - 25 watt lamp max.

USA and Canada:

G4 Bi-Pin 5, 10, 20 watt lamp max.  
G9 - 25 watt lamp max.

Tier Lite G4 20 watt Bi-Pin lamp - Lens height 650mm (25½")



Isolux Lumens Plot - Footcandles = Isolux figures divided by 10.76

**HUNZA™** PURE OUTDOOR LIGHTING

**HUNZA FACTORY**  
130 Felton Mathew Ave  
Glen Innes  
Auckland 1072  
New Zealand

Ph: 64-9-528 9471  
Fax: 64-9-528 9361  
hunza@hunza.co.nz  
www.hunza.co.nz

**INTERNATIONAL CONTACTS:**  
www.hunza.co.nz/contacts.php

Specifications may change without notice.  
Manufactured in New Zealand.  
© 2011 Hunza Holdings Ltd.

Ver 1.4