

## THE “MOUSE LITE™” & MOUSE RETRO LED LUMINAIRE

PLEASE RETAIN THE SWING TAG ATTACHED TO THE FIXTURE FOR FUTURE REFERENCE.

### INSTALLATION INSTRUCTIONS

NOTE: THESE INSTRUCTIONS MUST NOT CONTRAVENE YOUR LOCAL ELECTRICAL AUTHORITY REGULATIONS, WITH WHICH ALL INSTALLATIONS HERE IN MUST COMPLY. PLEASE KEEP INSTRUCTIONS FOR FUTURE REFERENCE.

The Mouse Lite™ is designed as a surface mount luminaire. Unscrew the mounting plate from the luminaire. Apply sufficient sealant to the groove on the back of the mounting plate to seal against the wall. Screw the mounting plate to the wall. Make a water proof connection using heavy walled adhesive lined heat shrink, between the luminaire cables and the low voltage supply cables. Check that gasket is in the correct position. Screw the luminaire onto the back plate.

#### Recommendation:

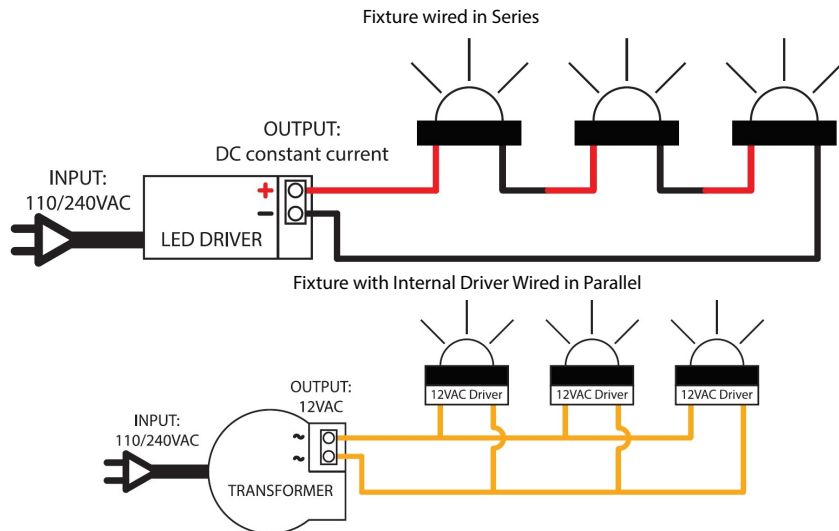
Use Hunza CJK#150 Cable Joint Kit.

**Stainless Steel Maintenance:** To maintain the finish of 316 stainless steel it is recommended to wash the luminaire with fresh water from time to time to stop salt and corrosive elements building up. If tea staining appears, a commercially available stainless steel cleaner is recommended to remove this. Electro polishing is recommended in this situation but the fitting will still require regular maintenance. Even an electro polished stainless steel fixture under an eave or roof will suffer from the build up of salt deposits as it will not be washed away by rain.

**Note :** If not using a HUNZA™ driver - you must select a suitable constant-current driver. Decide what output is required in mA (350, 700), the LED requires a forward voltage of 3 vdc.

**Warning:** Do not disconnect the LED luminaire from the output side of the the driver when connected to the mains. Switch off mains FIRST then disconnect luminaire from the output side of the driver.

**DO NOT** water blast/jet wash this fixture under any circumstances.



## THE “MOUSE LITE™” & MOUSE RETRO LED LUMINAIRE

PLEASE RETAIN THE SWING TAG ATTACHED TO THE FIXTURE FOR FUTURE REFERENCE.

### INSTALLATION INSTRUCTIONS

NOTE: THESE INSTRUCTIONS MUST NOT CONTRAVENE YOUR LOCAL ELECTRICAL AUTHORITY REGULATIONS, WITH WHICH ALL INSTALLATIONS HERE IN MUST COMPLY. PLEASE KEEP INSTRUCTIONS FOR FUTURE REFERENCE.

The Mouse Lite™ is designed as a surface mount luminaire. Unscrew the mounting plate from the luminaire. Apply sufficient sealant to the groove on the back of the mounting plate to seal against the wall. Screw the mounting plate to the wall. Make a water proof connection using heavy walled adhesive lined heat shrink, between the luminaire cables and the low voltage supply cables. Check that gasket is in the correct position. Screw the luminaire onto the back plate.

#### Recommendation:

Use Hunza CJK#150 Cable Joint Kit.

**Stainless Steel Maintenance:** To maintain the finish of 316 stainless steel it is recommended to wash the luminaire with fresh water from time to time to stop salt and corrosive elements building up. If tea staining appears, a commercially available stainless steel cleaner is recommended to remove this. Electro polishing is recommended in this situation but the fitting will still require regular maintenance. Even an electro polished stainless steel fixture under an eave or roof will suffer from the build up of salt deposits as it will not be washed away by rain.

**Note :** If not using a HUNZA™ driver - you must select a suitable constant-current driver. Decide what output is required in mA (350, 700), the LED requires a forward voltage of 3 vdc.

**Warning:** Do not disconnect the LED luminaire from the output side of the the driver when connected to the mains. Switch off mains FIRST then disconnect luminaire from the output side of the driver.

**DO NOT** water blast/jet wash this fixture under any circumstances.

