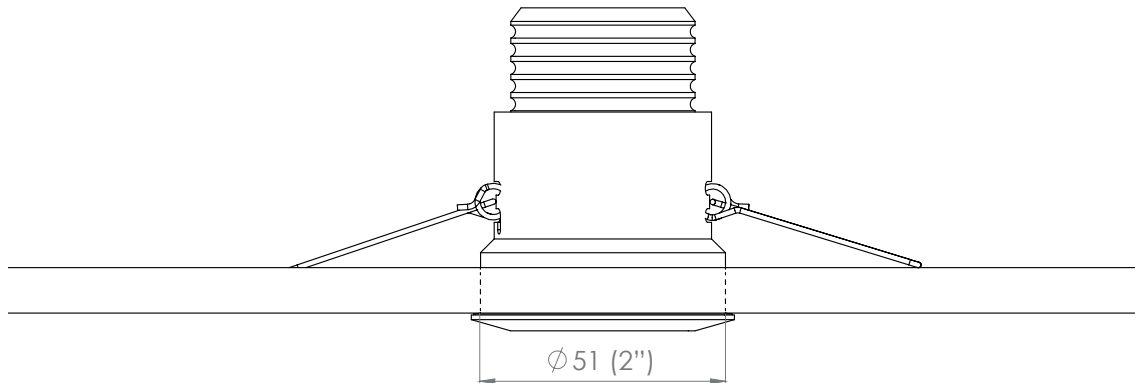




M2 & M4 ALUMINIUM WALL AND CEILING CANISTER INSTALLATION GUIDE

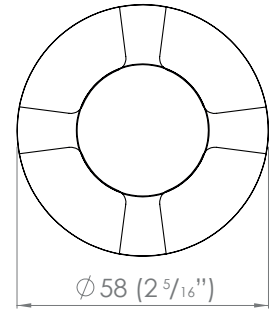
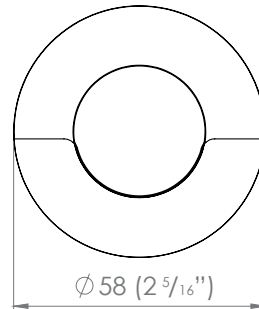
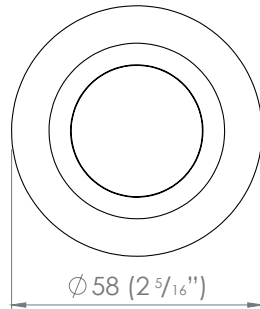
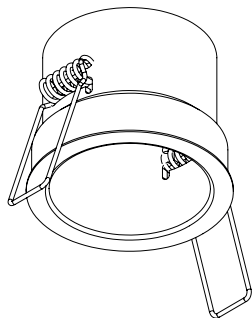


NOTE: THESE INSTRUCTIONS MUST NOT CONTRAVENE YOUR LOCAL ELECTRICAL AUTHORITY REGULATIONS, WITH WHICH ALL INSTALLATIONS HERE IN MUST COMPLY

FOR INTERIOR USE ONLY

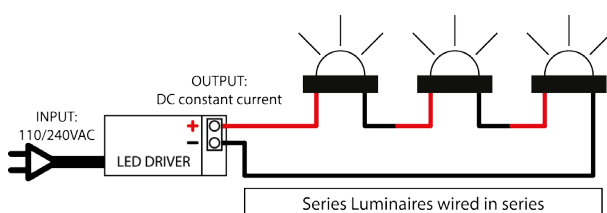
The M2 and M4 wall and ceiling canister is an anodized aluminium sleeve that will fasten a M2 or M4 into a flat sheet, 10-19mm or 3/4" in thickness.

SUITABLE FOR ROUND STYLES AND LARGE FORMAT FLANGES. LARGER FORMAT FLANGE MODELS ARE RECOMMENDED WITH THIS CANISTER



REMOTE DRIVER WIRED IN SERIES

Often referred to as series wiring the current in a series circuit follows one path from start-to-finish with the positive of the second LED connected to the negative of the first. Series wiring allows a single driver to be mounted remotely, powering a number of series fittings. Often the most simplest of wiring schemes as each fitting is connected to the next in a daisy chain. It removes the need for a smaller 12 volt driver in each fitting.



INTEGRAL DRIVER + TRANSFORMER

In a parallel circuit all the positive connections are tied together and back to the positive output of the LED driver and all the negative connections are tied together and back to the negative output of the driver. The integral driver option allows LuxR fittings to be wired in parallel to existing or new installations where a wire wound or magnetic transformer is being used.

