

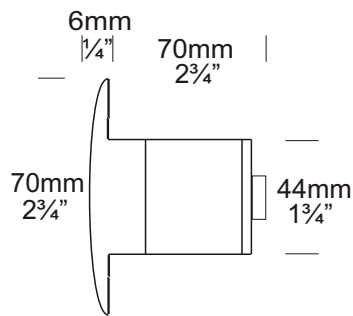
# Euro Step Lite

Cat. No. ESL



The Euro Step Lite is an extra compact luminaire designed for step lighting applications where the fixture needs to be very unobtrusive or concealed. Hunza Euro fixtures use miniature MR11 lamps to achieve a contemporary, discreet appearance but are still able to provide excellent illumination. The Euro Step Lite is designed for recessed mounting into masonry, stone or wood and when the appropriate Hunza™ mounting canister is specified there are no visible mounting screws.

## Ordering Information



### Luminaire Type

ESL - Euro Step Lite

### Material

COP - Copper  
SS - 316 Stainless Steel

### Accessories

CJK150 - Cable Joint Kit  
Elcan - Euro Lite Canister  
LENSEURF - Frost Lens  
For an alternative LED  
option start at page 10.4



Ordering Example: ESL SS - Euro Step Lite in 316 Stainless Steel.

(Accessories ordered separately)

**HUNZA**™ PURE  
OUTDOOR  
LIGHTING

**HUNZA FACTORY**  
130 Felton Mathew Ave  
Glen Innes  
Auckland 1072  
New Zealand

Ph: 64-9-528 9471  
Fax: 64-9-528 9361  
hunza@hunza.co.nz  
www.hunza.co.nz

**INTERNATIONAL CONTACTS:**  
[www.hunza.co.nz/contacts.php](http://www.hunza.co.nz/contacts.php)

Specifications may change without notice.  
Manufactured in New Zealand.

© 2009 Hunza Holdings Ltd.

Ver 1.4

## Luminaire Construction

CNC machined from:

Body:

45mm Copper (1¾") rod.

Flange:

70mm (3½") solid copper rod.

Body:

45mm (1¾") 316 Stainless Steel rod.

Flange:

70mm (3½") solid 316 Stainless Steel rod.

## Mounting

The Euro Step Lite is fixed in place using a mounting canister. There are no mounting screws in the flange to spoil aesthetics of the luminaire.

## Features

Lens:

6mm (¼") clear flush fit shatter resistant glass with Hex Cell Louvre for glare control.  
Lifetime warranty.

Gaskets:

Silicone, iron impregnated 220°C (428°F).

Lamp Holder:

GU4 - 350°C (662°F) ceramic multi contact lamp holder with 250°C (480°F) teflon cables.

Accessories:

Cable Joint Kit (Cat. CJK150).  
Not approved for USA /Canada.  
Euro Lite Canister (Cat. Elcan).  
Frosted Lens (Cat. LENSEURF).

## Standards

IP66



UL1838

## Luminaire Weight

Cop .480kg (1lb)

SS .415kg (14oz)

## Power Supply

HUNZA™ Inground or Wall Mount Transformer: not included.

USA and Canada:

HUNZA™ Wall Mount Transformer: not included.

## Lamp Type

Halogen

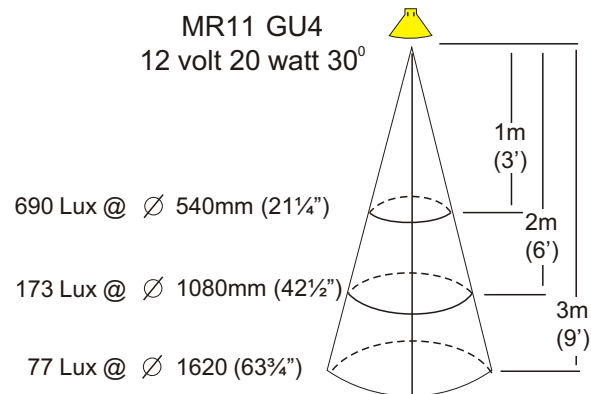
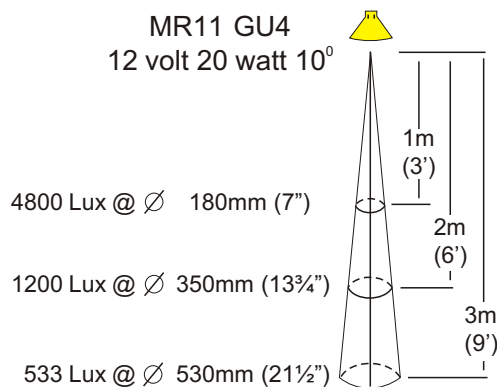
MR11 GU4 20 watt lamp max.

**LED** - Refer sheet no. 10.4

USA and Canada:

MR11 GU4 10 watt lamp max.

**LED** - Refer sheet no. 10.4



**HUNZA**™ PURE  
OUTDOOR  
LIGHTING

**HUNZA FACTORY**  
130 Felton Mathew Ave  
Glen Innes  
Auckland 1072  
New Zealand

Ph: 64-9-528 9471  
Fax: 64-9-528 9361  
hunza@hunza.co.nz  
www.hunza.co.nz

**INTERNATIONAL CONTACTS:**  
www.hunza.co.nz/contacts.php

Specifications may change without notice.  
Manufactured in New Zealand.

© 2009 Hunza Holdings Ltd.

Ver 1.4