

Euro Twin Bar

Lite

Cat. No. ETBL



Two individual spot lights which can be aimed in two entirely different directions. Each lite has fully adjustable arms allowing 360 degree rotation and 0 - 90 degree elevation adjustment with built in glare guards.

The heads are mounted on a 250mm (10") bar with twin ground spikes.

Ordering Information

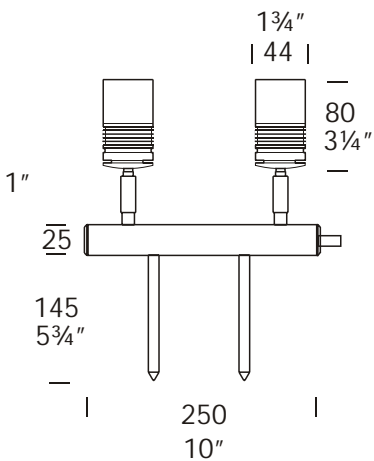
Luminaire Type	Material	Accessories
ETBL - Euro Twin Bar Lite	COP - Copper SS - 316 Stainless Steel	CJK150 - Cable Joint Kit EFL - Frosted Lens /300 - 300mm (12") Spike

Ordering Example ETBL COP - Euro Twin Bar Lite in Copper

ETBL /300 SS - Euro Twin Bar Lite in 316 Stainless Steel 300mm (12") Spike

EFL - Frosted Lens

(Accessories ordered separately)



FACTORY: Ph: 64-9-528 9471 Fax: 64-9-528 9361.
USA: Ph. 310 560 7310 Fax. 1 877 692 4589.
hunza@hunza.co.nz www.hunza.co.nz
Specifications may change without notice.

130 Felton Matthew Ave, Glen Innes, Auckland, New Zealand.
3237 Long Island St, W. Sacramento, California 95691, USA.
Manufactured in New Zealand.

© 2003 Hunza Holdings Ltd

Luminaire Construction

CNC machined from one of the following metals:

CNC machined from one of the following metals:

Copper:

Body 45.4mm (1 3/4") rod.

Bar:

25.4mm x 1.42mm (1" x 1/16") tube.

End Cap:

25.4mm x 10 (1" x 3/8") brass rod.

Spike:

11mm x 150mm (3/8" x 6") copper.

316 Stainless Steel :

Body:

45.4mm (13/4") rod.

Bar:

25.4mm x 10 (1" x 3/8") rod.

25.4 x 1.42mm (1" x 1/16") tube.

Spike:

11mm x 150mm (3/8" x 6") rod.

Mounting

Spike 150mm (6") 300mm (12") mounted directly into the ground.

Features

Lens:

3mm (1/8") clear tempered shatter resistant glass.

Life Time Warranty.

Gaskets:

Silicone, iron impregnated 220°C (428°F).

Lamp Holders:

GU4 - 350°C (662°F) ceramic multi contact lamp holder with 250°C (480°F) teflon cables.

Accessories:

Cable Joint Kit (Cat. CJK150).
Not approved for USA /Canada.

Frosted Lens (Cat. EFL).

Ground Spike 300mm (12")

(Cat. /300).

Swivels:

Copper luminaires - 360° rotation and 0 - 90° elevation, solid brass with anti rust spring.

Stainless Steel luminaires - 360° rotation and 0 - 90° elevation, full stainless steel construction.

Standards

IP66

USA and Canada:

Not Approved

Luminaire Weight

Cop 2.840kg (6lb 4oz)

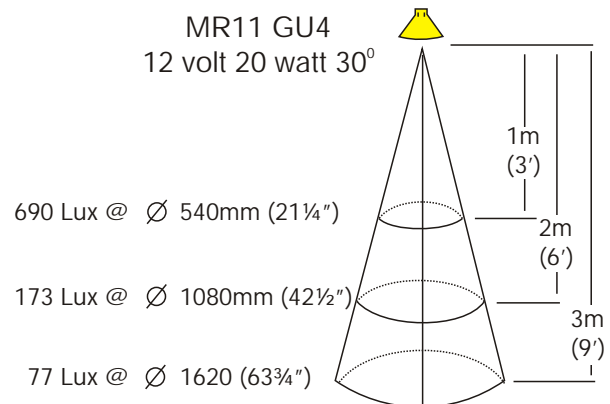
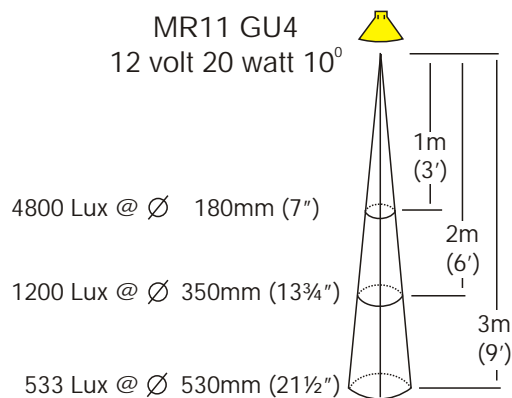
SS 2.414kg (5lb 5oz)

Power Supply

HUNZA® Inground or Wall Mount
Transformer: not included.

Lamp Type

MR11 GU4 - 2 x 20 watt lamps max.



FACTORY: Ph: 64-9-528 9471 Fax: 64-9-528 9361.

USA: Ph. 310 560 7310 Fax. 1 877 692 4589.

hunza@hunza.co.nz www.hunza.co.nz

Specifications may change without notice.

130 Felton Matthew Ave, Glen Innes, Auckland, New Zealand.

3237 Long Island St, W. Sacramento, California 95691, USA.

Manufactured in New Zealand.

© 2003 Hunza Holdings Ltd