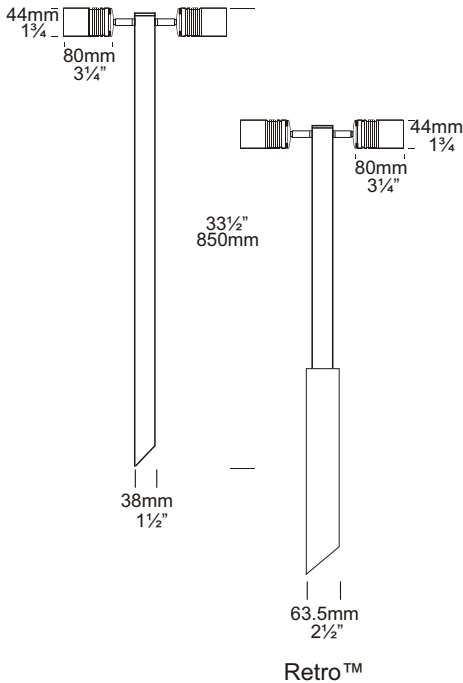


Euro Twin Pole Lite

Cat. No. ETPL
Cat. No. ETPL/R



The Euro Twin Pole Lite is for situations where the luminaire needs to be discreet, the smaller sized MR11 lamp is utilised to achieve this. Each spotlight can be aimed in any direction. This luminaire has fully adjustable arms allowing 360 degree rotation and 0 - 90° elevation with a built in glare guard. The Euro Twin Pole Lite is ideal for path lighting as well as tree lighting, or the heads may be aimed downward to eliminate vertical light.

The Retro™, which is a mains option, avoids the need to bury a transformer. The 110/240-12 volt electronic transformer is built into the pole and is a double insulated safety isolating transformer, this changes the luminaire to an IP56 rating.

Ordering Information

Luminaire Type	Material	Accessories
ETPL - Euro Twin Pole Lite	Cop - Copper SS - 316 Stainless Steel	CJK150 - Cable Joint Kit LENSEURF - Frost Lens /R - Retro™ Transformer 110/240-12 volt For an alternative LED option start at page 10.4

Ordering Example: ETPL COP - Euro Twin Pole Lite in Copper

ETPL/R SS - Euro Twin Pole Lite Retro™
in 316 Stainless Steel

(Accessories ordered separately)

HUNZA™ PURE
OUTDOOR
LIGHTING

HUNZA FACTORY
130 Felton Mathew Ave
Glen Innes
Auckland 1072
New Zealand

Ph: 64-9-528 9471
Fax: 64-9-528 9361
hunza@hunza.co.nz
www.hunza.co.nz

INTERNATIONAL CONTACTS:
www.hunza.co.nz/contacts.php

Specifications may change without notice.
Manufactured in New Zealand.

© 2009 Hunza Holdings Ltd.

Ver 1.4

Luminaire Construction

CNC machined from one of the following metals:

Copper:

Body 45.4mm (1¾") rod.

Pole 38mm (1½") x 850mm (33½") tube.

316 Stainless Steel:

Body 45.4mm (1¾") rod.

Pole 38mm (1½") x 850mm (33½") tube.

Retro™:

Pole 38mm (1½") x 410mm (16") tube.

Transformer Pole 63.5mm (2½") x 440mm (17½").

Mounting

Pole 800mm (31½") directly mounted into the earth. Retro™ - set in concrete.

Features

Lens:

6mm (¼") clear flush fit shatter resistant glass with Hex Cell Louvre for glare control.

Life Time Warranty.

Gaskets:

Silicone, iron impregnated 220°C (428°F).

Lamp Holders:

GU4 - 350°C (662°F) ceramic multi contact lamp holders with 250°C (480°F) teflon cables.

Accessories:

Cable Joint Kit (Cat. CJK150).

Not approved for USA /Canada.

Frosted Lens (Cat. LENSEURF).

Retro™ transformer 110/240-12 volt (Cat. /R) IP56.

Swivels:

Copper fixtures 360° rotation and 0 - 90° elevation, solid brass with anti rust spring.

Stainless Steel fixtures 360° rotation and 0 - 90° elevation, full stainless steel construction.

Standards

IP56/IP66



UL1838

Luminaire Weight

12 volt

Cop 2.500kg (5lb 8oz)

SS 2.000kg (4lb 6oz)

Retro™

Cop 3.400kg (7lb 7oz)

SS 3.100kg (6lb 13oz)

Power Supply

HUNZA™ Inground or Wall Mount Transformer: not included.

USA and Canada:

HUNZA™ Wall Mount Transformer: not included.

RETRO™ IP56

HUNZA™ 110/240-12 volt ac silicone encapsulated electronic transformer is built into the pole. Dimmable with a suitable dimmer.

* Note see page 7.3 for details.

Lamp Type

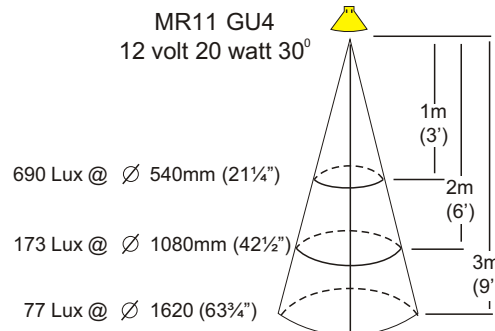
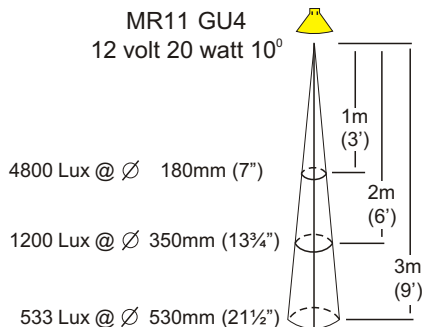
MR11 GU4 2 x 20watt lamps max.

LED - Refer sheet no. 10.4

USA and Canada:

MR11 GU4 2 x 10 watt lamps max.

LED - Refer sheet no. 10.4



HUNZA™ PURE
OUTDOOR
LIGHTING

HUNZA FACTORY
130 Felton Mathew Ave
Glen Innes
Auckland 1072
New Zealand

Ph: 64-9-528 9471
Fax: 64-9-528 9361
hunza@hunza.co.nz
www.hunza.co.nz

INTERNATIONAL CONTACTS:
www.hunza.co.nz/contacts.php

Specifications may change without notice.
Manufactured in New Zealand.

© 2009 Hunza Holdings Ltd.

Ver 1.4