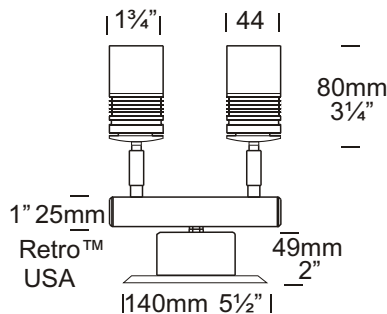
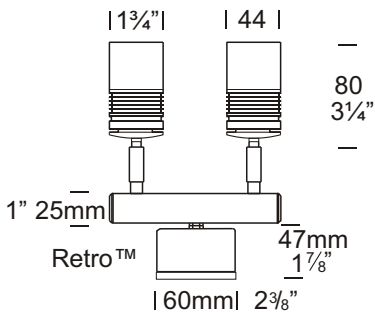
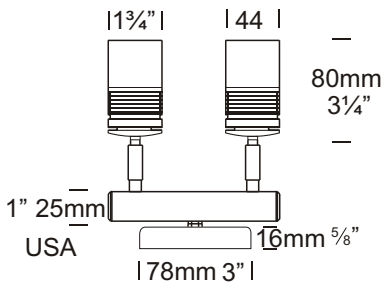
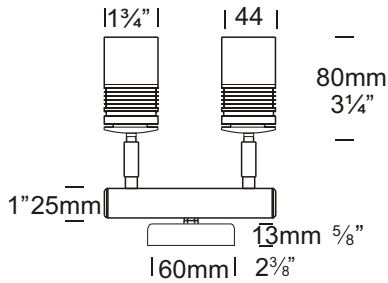


Euro Twin Wall Spot

Cat. No. ETWS

Cat. No. ETWS/R



The Euro Twin Wall Spot is for situations where the luminaire needs to be discreet, the smaller sized MR11 lamp is utilised to achieve this. Each spotlight can be aimed in any direction. This luminaire has fully adjustable arms allowing 360 degree rotation and 0 - 90° elevation with a built in glare guard. The Euro Twin Wall Spot has been designed to be mounted on walls and provide directional light for pathways and structural elements of a building.

The Retro™ is a 110/240-12 ac mains option suited to an installation where mounting a transformer is a problem, e.g. a brick wall where there is only the cable protruding out of the wall and it is not an option to recess the transformer or when replacing an existing light fitting. The base size increases in size to accommodate the encapsulated IP66 dimmable transformer.

Ordering Information

Luminaire Type	Material	Accessories
ETWS - Euro Twin Wall Spot	Cop - Copper SS - 316 Stainless Steel	LENSEURF - Frost Lens CJK150 - Cable Joint Kit /R - Retro™ Transformer 110/240-12 volt WBAP - Wall Box Adaptor Plate (12 volt Luminaire) For an alternative LED option start at page 10.4
<p>Ordering Example: ETWS SS - Euro Twin Wall Spot in 316 Stainless Steel ETWS/R COP - Euro Twin Wall Spot Retro™ in Copper</p> <p>CJK150 - Cable Joint Kit (Accessories ordered separately)</p>		

HUNZA™ PURE OUTDOOR LIGHTING

HUNZA FACTORY
130 Felton Mathew Ave
Glen Innes
Auckland 1072
New Zealand

Ph: 64-9-528 9471
Fax: 64-9-528 9361
hunza@hunza.co.nz
www.hunza.co.nz

INTERNATIONAL CONTACTS:
www.hunza.co.nz/contacts.php

Specifications may change without notice.
Manufactured in New Zealand.

© 2009 Hunza Holdings Ltd.

Ver 1.4

Luminaire Construction

CNC machined from one of the following metals:

Body:

Copper 45.4mm (1¾") rod.

Base:

Copper Hand spun 2mm (3/16")

Body:

316 Stainless steel 45.4mm (1¾") rod.

Base:

Investment cast and CNC machined.

Mounting

12 volt: the luminaire is mounted to the wall using two 316 stainless screws through a shallow base 16mm (5/8") in depth. A Wall Box Adaptor Plate is available as an accessory to fit 3.0 and 4.0 junction boxes for USA/Canada.

Retro™ luminaire (110/240-12 volt): a mounting plate is fixed to the wall using two screws and the luminaire is fitted to the mounting plate.

Features

Lens:

6mm (¼") clear flush fit shatter resistant glass with Hex Cell Louvre for glare control.

Life Time Warranty.

Gaskets:

Silicone, iron impregnated 220°C (428°F).

Lamp Holders:

GU4 - 350°C (662°F) ceramic multi contact lamp holder with 180°C (356°F) silicone cables.

Accessories:

Cable Joint Kit (Cat. CJK150)

Not approved for USA /Canada.

Frost Lens (Cat. LENSEURF).

Retro™ transformer 110/240-12 volt (Cat. /R).

Wall Box Adaptor Plate (Cat. WBAP 12 volt luminaires USA/Canada).

Swivel:

Copper luminaires - 360° rotation and 0 - 90° elevation, solid brass with anti rust spring.

Stainless Steel luminaires - 360° rotation and 0 - 90° elevation, full stainless steel construction.

Standards

IP66 AS/NZS 61046



UL1838

Luminaire Weight

12 volt

Cop 1.445kg (3lb 2oz)

SS 1.245kg (2lb 11oz)

Retro™

Cop 2.006kg (4lb 6oz)

SS 1.730kg (3lb 13oz)

Power Supply

HUNZA™ Inground or Wall Mount Transformer: not included.

USA and Canada:

HUNZA™ Wall Mount Transformer: not included.

RETRO™

HUNZA™ 110/240-12 volt ac potted electronic transformer built into the Retro™ base. Dimmable with a suitable dimmer.

Lamp Type

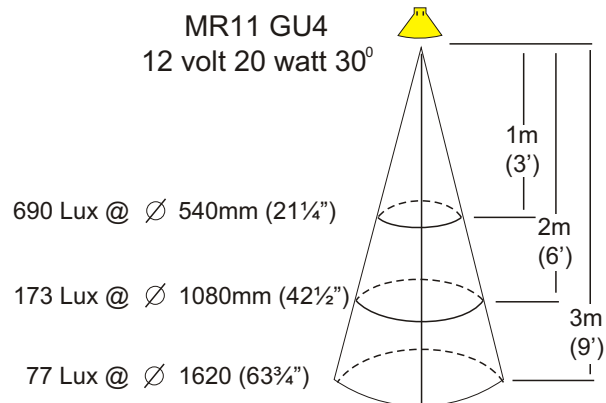
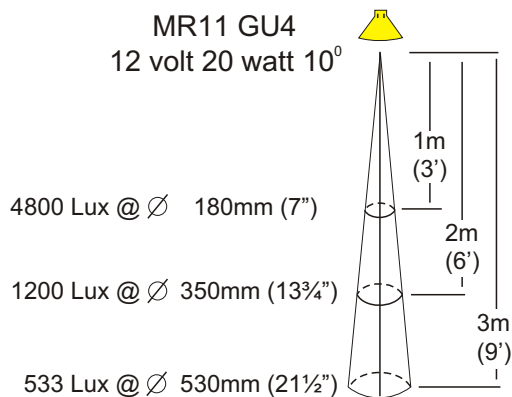
MR11 GU4 - 2 x 20watt lamp max.

LED - Refer sheet no. 10.4

USA and Canada:

MR11 GU4 - 2 x 10watt lamp max.

LED - Refer sheet no. 10.4



HUNZA™ PURE
OUTDOOR
LIGHTING

HUNZA FACTORY
130 Felton Mathew Ave
Glen Innes
Auckland 1072
New Zealand

Ph: 64-9-528 9471
Fax: 64-9-528 9361
hunza@hunza.co.nz
www.hunza.co.nz

INTERNATIONAL CONTACTS:
www.hunza.co.nz/contacts.php

Specifications may change without notice.
Manufactured in New Zealand.

© 2009 Hunza Holdings Ltd.

Ver 1.4