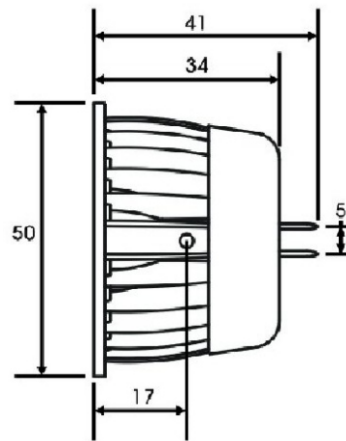


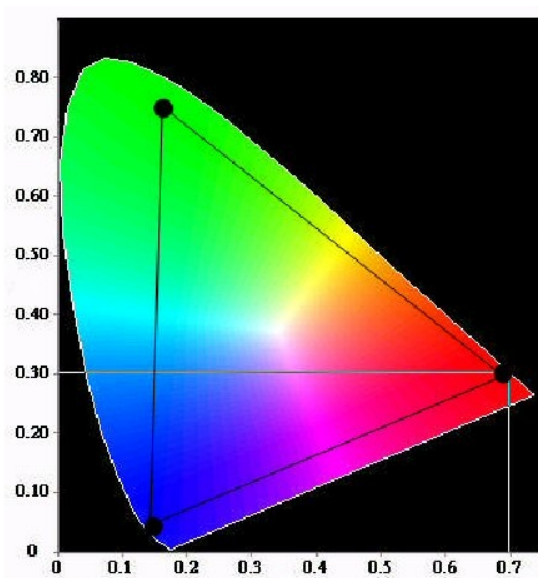
# Single Colour LED

These high output LED lamps fit perfectly into Hunza MR16 luminaires. In a situation where heat is a concern, this light source option has the advantage of an extremely low running temperature with associated power consumption and long-life.



The Tristar MR16WHT-W is a MR16 shaped LED lamp suitable for installation in all Hunza MR16 fixtures, with the exception of the Lawn Lite and Driveway Lite models.

The lamp provides either a Cool White, Warm White, or Blue single colour output. Multiple units can be powered by our standard low voltage (12volt AC) lighting transformer.



## Specifications

Input Voltage	10 ~ 17 VDC/VAC
Input Frequency	DC 47-63 Hz, 20-40Khz
Input Current	<600mA
LED Power	5watts
Colour Temperature	3400°K
UV or IR Radiation	None
Operating Hours	>20,000 hours
View Angle	60°
Output	80 Lumens

*Exclusive European Importers for Hunza Productions Ltd of New Zealand*

Light Ideas International Ltd. Suite 3, Faraday House, King William Street, Amblecote, Stourbridge, West Midlands, England DY8 4HD

Website: [www.lightideas.co.uk](http://www.lightideas.co.uk) Email: [info@lightideas.co.uk](mailto:info@lightideas.co.uk)  
 Telephone: + 44 (0) 1384 377378 Fax: + 44 (0) 1384 377387  
 Registration No. 3945883 Registered Office as above

