

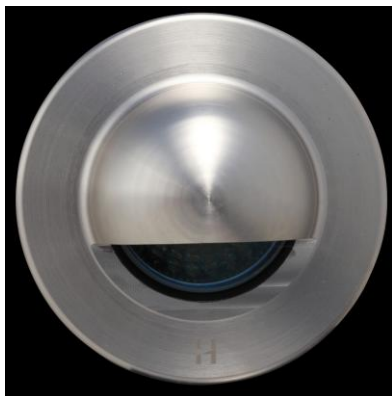
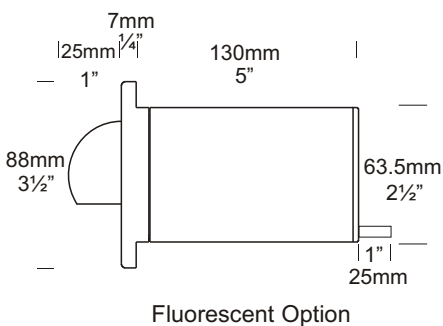
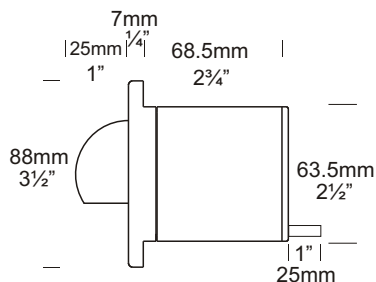
Step Lite Solid Eyelid

Cat. No. SLs
Cat. No. SLsfl



The Solid Eyelid Step Lite has a smooth machined finish without mounting holes to disrupt the elegant line of the fitting and is designed to fit into a mounting canister. The eyelid masks two thirds of the lamp which eliminates all upward light.

A 110/240 volt fluorescent option is available which offers excellent light output, low energy usage and very low heat generation, this changes the luminaire to an IP66 rating.



Ordering Information

Luminaire Type	Material/Finish	Accessories
SLs - Step Lite Solid Eyelid	BK - Black BZ - Bronze GN - Green STAR - Silver Star WH - White COP - Copper SS - 316 Stainless Steel	CJK150 - Cable Joint Kit LENSSTEPF - Frosted Lens FL - Fluorescent Option HCL - Hex Cell Louvre Adaptor Canss - 316 Stainless Steel Canister Flucan - Fluorescent Canister Slcan - Step Lite Canister For an alternative LED option start at page 10.4

Ordering Example: SLs SS - Step Lite Solid Eyelid in 316 Stainless Steel
 SLsfl COP - Step Lite Solid Eyelid in Copper with Fluorescent option
 HCL COP - Hex Cell Louvre in Copper (Accessories ordered separately)

HUNZA™ PURE OUTDOOR LIGHTING

HUNZA FACTORY
130 Felton Mathew Ave
Glen Innes
Auckland 1072
New Zealand

Ph: 64-9-528 9471
Fax: 64-9-528 9361
hunza@hunza.co.nz
www.hunza.co.nz

INTERNATIONAL CONTACTS:
www.hunza.co.nz/contacts.php

Specifications may change without notice.
Manufactured in New Zealand.
© 2009 Hunza Holdings Ltd.

Ver 1.4

Luminaire Construction

CNC machined from one of the following metals:

High corrosion resistant 63.5mm (2½") x 10mm (25/64") aluminium.
End cap - solid aluminium 63.5mm (2½") rod, flange 90mm (3½") solid aluminium rod with chromate substrate and high UV resistant polyester powder coat

Colours Black, Bronze, Green, Silver Star, White.

Copper: 63.5mm (2½") x 10mm (13/32"). End cap - solid copper 63.5mm (2½") rod.
Flange 90mm (3½") solid copper rod.

316 Stainless Steel: 9mm (11/32"). End cap - solid 316 stainless steel 63.5mm (2½") rod.
Flange 90mm (3½") solid 316 stainless steel rod.

Mounting

Designed to fit through a 66mm (2 5/8") hole and be fixed into position by two screws in the flange or a Step Lite canister (see accessories) can be used which maintains the aesthetic look of the flange by eliminating the two screw holes in the flange.

Features

Lens:
3mm (1/8") thick clear tempered shatter resistant glass.
Life Time Warranty.

Gaskets:
Silicone, iron impregnated 220°C (428°F).

Lamp Holders:
GU5.3 - 350°C (662°F) ceramic multi contact lamp holder with 250°C (480°F) teflon cables.

Fluorescent:
E27 PET 210°C (410°F) base mount.
E26 available in the USA.

Accessories:

Cable Joint Kit (Cat. CJK150)
Not approved for USA/Canada.
Fluorescent Option 8watt 240 volt (Cat. FL) IP66.
Frosted Lens (Cat. LENSSTEPF).
Hex Cell Louvre Adaptor (Cat. HCL).
Step Canister (Cat. Sican).
Fluorescent Canister, PVC (Cat. Flucan).
316 Stainless Canister for use in lime stone etc. (Cat. Canss).

Standards

EN60598

IP66/IP68



UL1838

Luminaire Weight

12 volt

Alum .465kg (1lb)

Cop 1.340kg (2lb 15oz)

SS 1.055kg (2lb 5oz)

Fluorescent IP66

Alum .780kg (1lb 11oz)

Cop 2.275kg (5lb)

SS 1.690kg (3lb 11oz)

Power Supply

HUNZA™ Inground or Wall Mount
Transformer: not included.

USA and Canada:

HUNZA™ Wall Mount Transformer:
not included.

Luminaire: supplied with

Halogen

MR16 GU5.3 20 watt lamp max.

Fluorescent

E27 - 110/240 volt self ballasted
lamp.

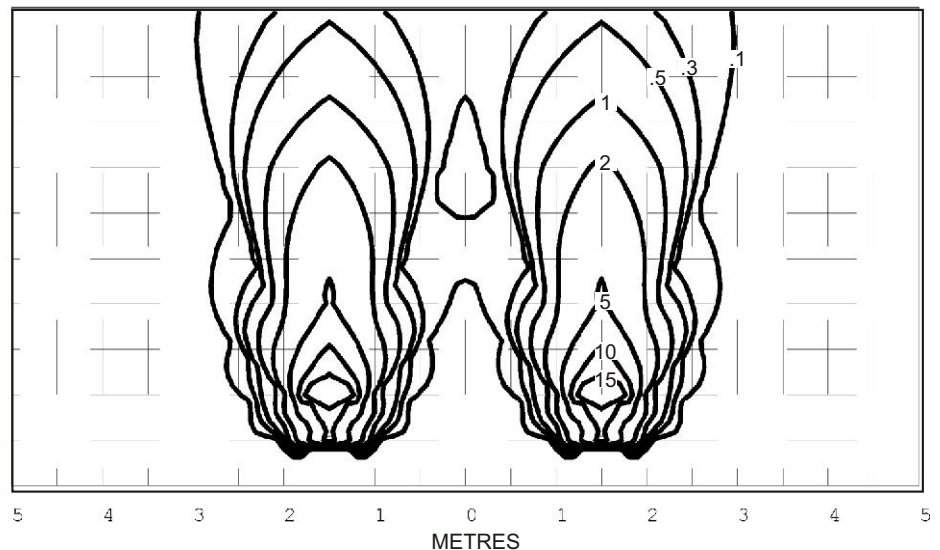
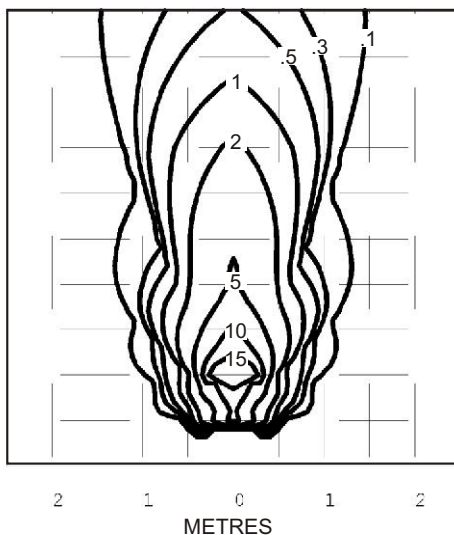
LED - Refer sheet no. 10.4

USA and Canada:

MR16 GU5.3 20 watt lamp max.

LED - Refer sheet no. 10.4

Step Lite Eyelid Square 20 watt - Lens height 400mm (15¾")



Isolux Lumens Plot - Footcandles = Isolux figures divided by 10.76

HUNZA™ PURE
OUTDOOR
LIGHTING

HUNZA FACTORY
130 Felton Mathew Ave
Glen Innes
Auckland 1072
New Zealand

Ph: 64-9-528 9471
Fax: 64-9-528 9361
hunza@hunza.co.nz
www.hunza.co.nz

INTERNATIONAL CONTACTS:
www.hunza.co.nz/contacts.php

Specifications may change without notice.
Manufactured in New Zealand.

© 2009 Hunza Holdings Ltd.

Ver 1.4