

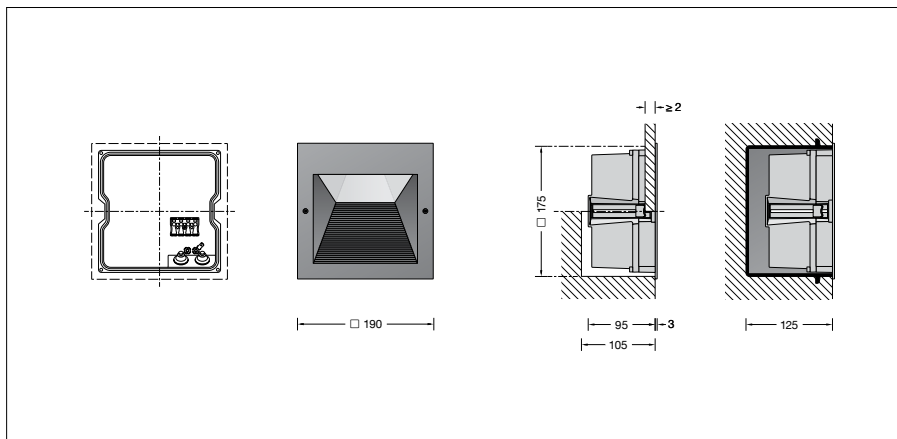
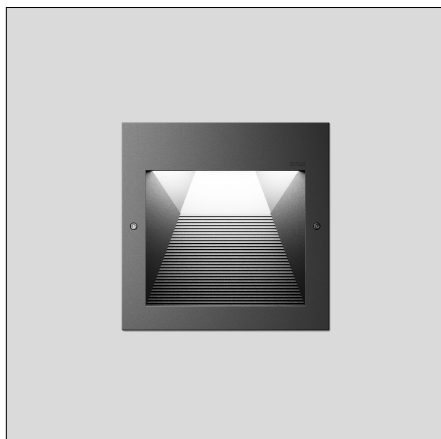
BEGA**24 211**

Recessed wall and ceiling luminaire



Project · Reference number

Date



Product data sheet

Application

Recessed LED-ceiling and wall luminaire with asymmetrical light distribution for flush or surface mounted installation.

For glare-free lighting of ceiling, wall and ground surfaces.

Product description

Luminaire made of aluminium alloy, aluminium and stainless steel

Clear safety glass

Silicone gasket

Required recessed opening 175 x 175 mm

Recessed depth 105 mm

Fixing is achieved by using two adjustable wedge-shaped claws

2 cable entries for through-wiring of mains supply cable \varnothing 7-10.5 mm, max. 5G 1.5[□]

Connecting terminal and earth conductor terminal 2.5[□]

LED power supply unit

220-240 V \sim 0/50-60 Hz

DC 176-280 V

DALI controllable

A basic isolation exists between power cable and control line

Safety class I

Protection class IP 65

Dust-tight and protection against water jets

Impact strength IK07

Protection against mechanical impacts < 2 joule

LED module:

< 200,000h (L 80 B 50)

< 100,000h (L 90 B 50)

CE – Safety mark

CE – Conformity mark

Weight: 1.4 kg

Lamp

Module connected wattage 4.8 W

Luminaire connected wattage 6.9 W

Rated temperature $t_a = 25\text{ }^\circ\text{C}$

Ambient temperature $t_{a\text{max}} = 40\text{ }^\circ\text{C}$

When installed in heat-insulating material $t_{a\text{max}} = 40\text{ }^\circ\text{C}$

On request we can offer you modifications for environments with higher temperatures as a customized product.

24 211 K3

Module designation LED-0759/830

Colour temperature 3000 K

Colour rendering index CRI > 80

Module luminous flux 940 lm

Luminaire luminous flux 566 lm

Luminaire luminous efficiency 82 lm/W

24 211 K4

Module designation LED-0759/840

Colour temperature 4000 K

Colour rendering index CRI > 80

Module luminous flux 965 lm

Luminaire luminous flux 581 lm

Luminaire luminous efficiency 84,2 lm/W

Service life · Ambient temperature

Ambient temperature $t_a = 25\text{ }^\circ\text{C}$

LED psu: > 50,000h

LED module: > 200,000h (L 80 B 50)

100,000h (L 90 B 50)

Ambient temperature $t_a = 40\text{ }^\circ\text{C}$

LED psu: 50,000h

LED module: > 200,000h (L 80 B 50)

100,000h (L 90 B 50)

Inrush current

Inrush current: 5 A / 50 μs

Maximum number of luminaires of this type per miniature circuit breaker:

B 10A: 31 luminaires

B 16A: 50 luminaires

C 10A: 52 luminaires

C 16A: 85 luminaires

Light technique

Luminaire data for the light planning program DIALux for outdoor lighting, street lighting and indoor lighting as well as luminaire data in EULUMDAT- and IES-format you will find on the BEGA web page www.bega.com.

Article No. 24 211

LED colour temperature optionally 3000 K or 4000 K

3000 K – Article number + **K3**

4000 K – Article number + **K4**

Colour graphite or silver

graphite – article number

silver – article number + **A**

Accessories

10 489 Installation housing

13 541 Installation housing for installation in insulated façades (EWIS)

10 089 Plaster frame

10 073 Plaster frame flush

See the separate instructions for use.

Light distribution

