

Super Spike 25mm & Mini Spike

Cat. No. SSP/G25

Cat. No. SSP/G15025



The Hunza Super Spike 25mm is a multi purpose ground spike which adds significant stability when used. It is designed for use with Hunza luminaires that have a 25mm diameter pole or 1/2" NPS thread. It is supplied with two snap in adaptors and is constructed from UV black polycarbonate. There is sufficient space for a cable connection under the dome. It is suitable for use with aluminium, copper and 316 stainless steel luminaires.

The Hunza Mini Spike is a 150mm (6") reduced height version of the Super Spike, designed for use in firmer ground where the extra length is not required.

Ordering Information

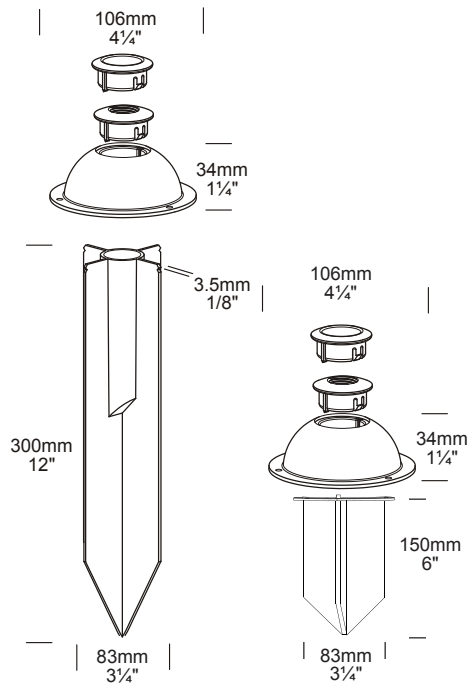
Luminaire Type

Material

SSP/G25 - Super Spike 25mm
SSP/G15025 - Mini Spike (150mm)
25mm

Black UV stable glass filled polypropylene

Ordering example: SSP/G25 - Super Spike for 25mm pole
SSP/G15025 - Mini Spike (150mm) for 25mm pole



HUNZA™ PURE
OUTDOOR
LIGHTING

HUNZA FACTORY 130
Felton Mathew Ave
Glen Innes
Auckland 1072
New Zealand

Ph: 64-9-528 9471
Fax: 64-9-528 9361
hunza@hunza.co.nz
www.hunzalighting.com

INTERNATIONAL CONTACTS:
[http://www.hunzalighting.com/
contact.php](http://www.hunzalighting.com/contact.php)

Specification may change without notice.
Manufactured in New Zealand.
© 2016 Hunza Holdings Ltd.

Construction

Dome and Inserts

Molded from black UV stable polycarbonate.

Super Spike

Molded from black UV stable, glass filled, polypropylene.

Mounting

The Super Spike is mounted directly into the ground.

Features

Dome

The dome is supplied with a snap in 1/2" NPS female adaptor and 25mm (1") adaptor for the pole insertion. There is a cable joint cavity at the base of the dome.

Super Spike

Adds significant stability to any 25mm pole luminaire.