

# Super Spike 38mm & Mini Spike

Cat. No. SSP/G38

Cat. No. SSP/G15038



The Hunza Super Spike 38mm is a multi purpose ground spike which adds significant stability when used. It is designed for use with Hunza luminaires that have a 38mm diameter pole or 1/2" NPS thread. It is supplied with two snap in adaptors and is constructed from UV black polycarbonate.

The Hunza Mini Spike is a 150mm (6") reduced height version of the Super Spike, designed for use in firmer ground where the extra length is not required.

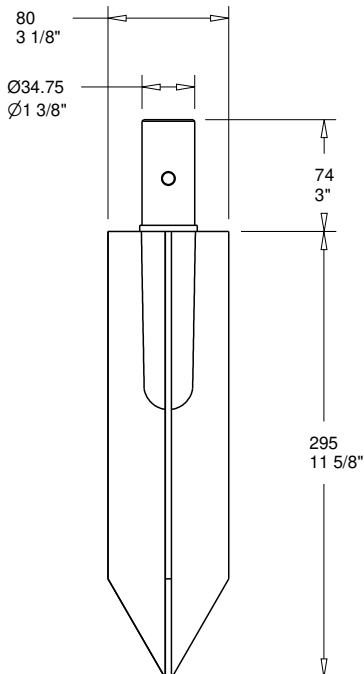
## Ordering Information

Luminaire Type

Material

SSP/G38 - Super Spike 38mm  
SSP/G15038 - Mini Spike (150mm)  
38mm

Black UV stable glass filled polypropylene



Ordering example: SSP/G38 - Super Spike for 38mm pole  
SSP/G15038 - Mini Spike (150mm) for 38mm pole

**HUNZA**™ PURE  
OUTDOOR  
LIGHTING

HUNZA FACTORY 130  
Felton Mathew Ave  
Glen Innes  
Auckland 1072  
New Zealand

Ph: 64-9-528 9471  
Fax: 64-9-528 9361  
hunza@hunza.co.nz  
www.hunzalighting.com

INTERNATIONAL CONTACTS:  
[http://www.hunzalighting.com/  
contact.php](http://www.hunzalighting.com/contact.php)  
Specification may change without notice.  
Manufactured in New Zealand.  
© 2016 Hunza Holdings Ltd.

## Construction

### Inserts

Molded from black UV stable polycarbonate.

### Super Spike

Molded from black UV stable, glass filled, polypropylene.

## Mounting

The Super Spike is mounted directly into the ground.

## Features

### Adaptor

The adaptor is supplied with the Super Spike to accommodate a 38mm pole luminaire.

### Super Spike

Adds significant stability to any 25mm pole luminaire.