

**Type reference :** E 28 TP 244

**European standard :**

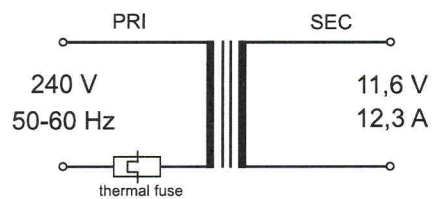
EN 61 558-2-6 (1997)

**General data :**

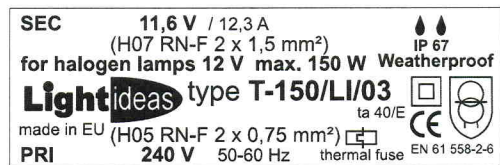
single-phase safety isolating transformer  
protection against electric shock : class II  
degree of protection to EN 60 529 : IP67  
non short-circuit proof transformer  
rated maximum ambient temperature : ta 40°C  
temperature class according to IEC 60 085 : E

**Electrical values :**

rated voltages : input : 240 V  
output : 11,6 V  
no - load output : 12,4 V  
rated frequency : 50-60 Hz  
rated current : output 12,3 A  
total losses : 16,7 Watt  
efficiency : 89,5%



**Marking :**

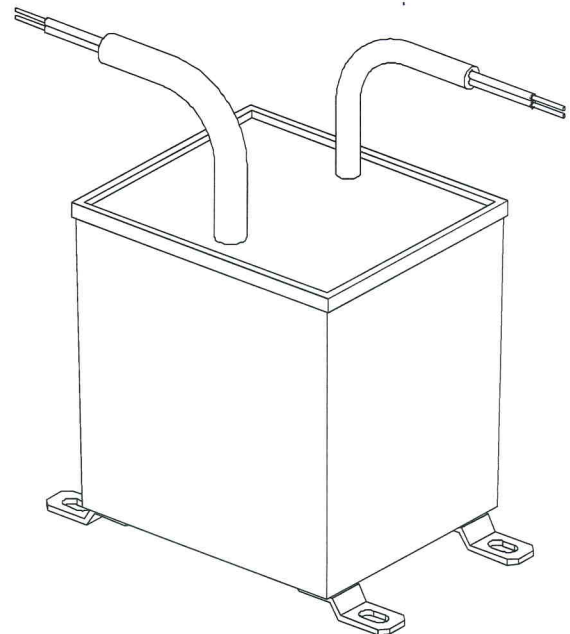


**Constructional data :**

in plastic case  
vacuum-encapsulated with synthetic resin  
connection : input : polychloropren cable  
H05 RN-F 2 x 0,75 mm²  
color : black  
length : 1 m  
output : polychloropren cable  
H07 RN-F 2 x 1,5 mm²  
color : black  
length : 1 m

**Dimensions and weight :**

dimensions : 92 x 77 x 101 mm  
weight : 2,8 kg



				Datasheet	
000		27/05/05		Safety isolating transformer	1 / 1
				E 28 TP 244	