

Type reference : UNO / 240 / 012

European standard :

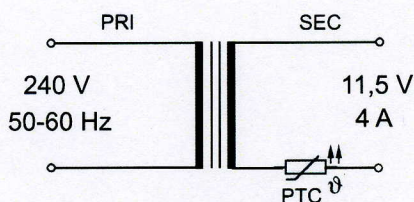
EN 61 558-2-6 (1997)

General data :

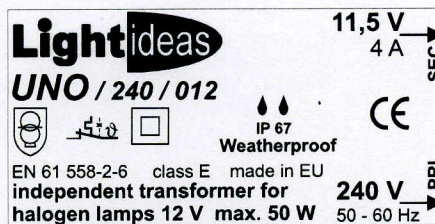
single-phase safety isolating transformer
protection against electric shock : class II
degree of protection to EN 60 529 : IP67
non-inherently short-circuit proof transformer
rated maximum ambient temperature : ta 25°C
temperature class according to IEC 60 085 : E

Electrical values :

rated voltages : input : 240 V
output : 11,5 V
no - load output : 12,9 V
rated frequency : 50-60 Hz
rated current : output 4 A
rated output : 46 VA
total losses : 11,2 Watt
efficiency : 80,4%

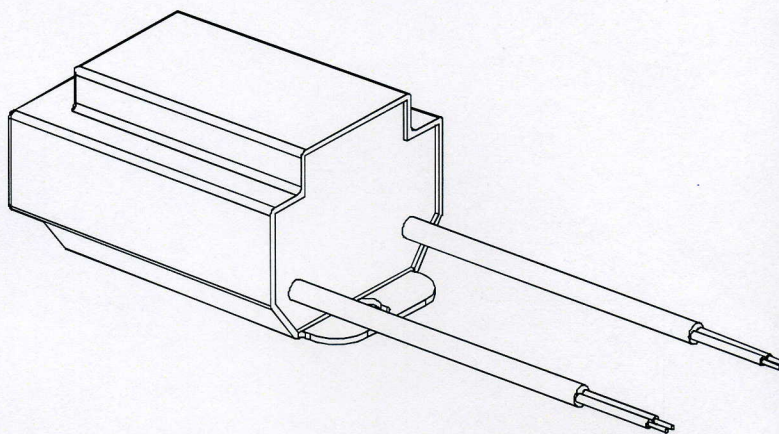


Marking :



Constructional data :

in plastic case
vacuum-encapsulated with synthetic resin
connection : input : polychloropren cable
H05 RN-F 2 x 0,75 mm²
color : black
length : 1 m
output : silicon cable
SIHF 2 x 0,75 mm²
color : red
length : 1 m



Dimensions and weight :

dimensions : 88 x 59 x 46 mm
fixing dimensions : 78 mm Ø 4,5 mm
weight : 0,6 kg

				Datasheet
000		27/05/05		Safety isolating transformer
				UNO / 240 / 012