

Tier Lite Wall Mount

Cat. No. TLWM
 Cat. No. TLWM/R
 Cat. No. TLWMG9



The Tier Lite Wall Mount is a wall-mountable version of the Tier Lite. This luminaire provides 360 degree illumination on a horizontal plane, without projecting any light upwards and is ideal for lighting areas such as porches or entrance ways.

The Tier Lite Wall Mount is available in 316 stainless steel, copper and powder-coated aluminium and comes standard with a 260mm hood.

The Retro™ is a 110/240-12 ac mains option suited to an installation where mounting a transformer is a problem, e.g. a brick wall where there is only the cable protruding out of the wall and it is not an option to recess the transformer or when replacing an existing light fitting. The base increases in size to accommodate the encapsulated IP66 dimmable transformer.

A G9 version of this luminaire is also available for line voltage lamps.

Ordering Information

Luminaire Type

- TLWM - Tier Lite Wall Mount
- TLWM/R - Tier Lite Wall Mount Retro
- TLWMG9 - Tier Lite Wall Mount G9

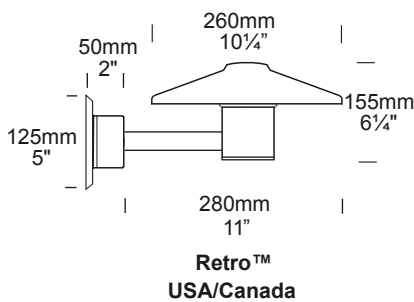
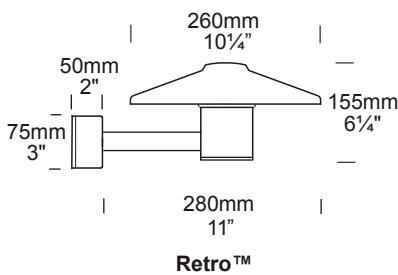
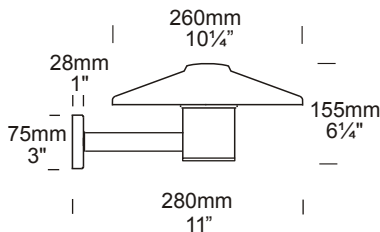
Material/Finish

- BK - Black
- BZ - Bronze
- CT - Corten
- DG - Dark Grey
- OG - Olive Green
- STAR - Silver Star
- WB - White Birch
- WH - White
- COP - Copper
- SS - Stainless Steel

Accessories

- LENSBOLOP - Opaque Lens
- CJK150 - Cable Joint Kit
- WBAP - Wall Box Adaptor Plate

Ordering example: TLWM BK - Tier Lite Wall Mount in Black
 TLWM/R COP - Tier Lite Wall Mount Retro in Copper
 TLWMG9 SS - Tier Lite Wall Mount G9 in Stainless Steel
 LENSBOLOP - Opaque Lens
 (accessories ordered separatley)



Luminaire Construction

CNC machined from one of the following metals:

Aluminium

High corrosion resistant with chromate substrate and high UV resistant polyester powder coat.

Body: 63.5mm (2½") x 10mm (3/8") aluminium tube.

End cap: solid aluminium 63.5mm (2½") rod.

Base: 2mm (1/16") hand spun aluminium.

Back plate: cast from virgin high corrosion resistant CC401 low copper aluminium alloy.

Hood: 260mm (10¼") x 1.2mm (1/16") hand spun aluminium.

Colours:

Black, Bronze, Corten, Dark Grey, Olive Green, Silver Star, White Birch, White.

Copper

Body: 63.5mm (2½") x 10mm (1/8") copper tube.

End cap: solid copper 63.5mm (2½") rod.

Base: 2mm (1/16") hand spun copper.

Back Plate: Forged brass.

Hood: 260mm (10¼") x 1.2mm (1/16") hand spun copper.

316 Stainless Steel

Body: 63.5mm (2½") x 10mm (1/8") stainless steel tube.

End cap: solid 316 stainless steel 63.5mm (2½") rod.

Base: 2mm (1/16") hand spun stainless steel.

Back plate: investment cast and CNC machined stainless steel.

Hood: 260mm (10¼") x 1.2mm (1/16") hand spun stainless steel.

Mounting

12 volt - the luminaire is mounted to the wall using two 316 stainless screws through a shallow base 16mm (5/8") in depth. A Wall Box Adaptor Plate is available as an accessory to fit 3.0 and 4.0 junction boxes for USA/Canada.

Retro - a mounting plate is fixed to the wall using two screws, the luminaire is fitted to the mounting plate.

Features

Lens

UV stable polycarbonate.

Anti Glare Hood

260mm (10¼"). No upward light or glare projected.

Gaskets

Silicone, iron impregnated 220°C (428°F).

Lamp Holders

G4 - 350°C (662°F) ceramic multi contact lamp holder with 250°C (480°F) Teflon cables.

G9 - 280°C (536°F) ceramic lamp holder with 250°C (480°F) Teflon cables.

Accessories

Cable Joint Kit (Cat. CJK150).

Not approved for USA/Canada.

Opaque Lens (Cat. LENSBOLOP).

Wall Box Adaptor Plate (Cat. WBAP).

For 12 volt luminaires for USA/Canada.

Standards

IP66, UL1838,



Luminaire Weight

12 volt - **Aluminium** - 0.950kg (2lb 1oz)

Copper - 2.200kg (4lb 14oz)

Stainless Steel - 1.900kg (4lb 3oz)

Retro **Aluminium** - 1.200kg (2lb 10oz)

Copper - 2.600kg (5lb 12oz)

Stainless Steel - 2.300kg (5lb 1oz)

Power Supply

12 volt - Hunza Wall Mount Transformer: not included.

USA and Canada

Hunza Wall Mount Transformer: not included.

Retro - Hunza 110/240-12 volt ac silicone encapsulated electronic transformer is built into the base.

Dimmable with a suitable dimmer.

Lamp Options

12 volt

G4 - 5, 10 or 20 watt lamp max.

G9 - 25 watt lamp max.

USA and Canada

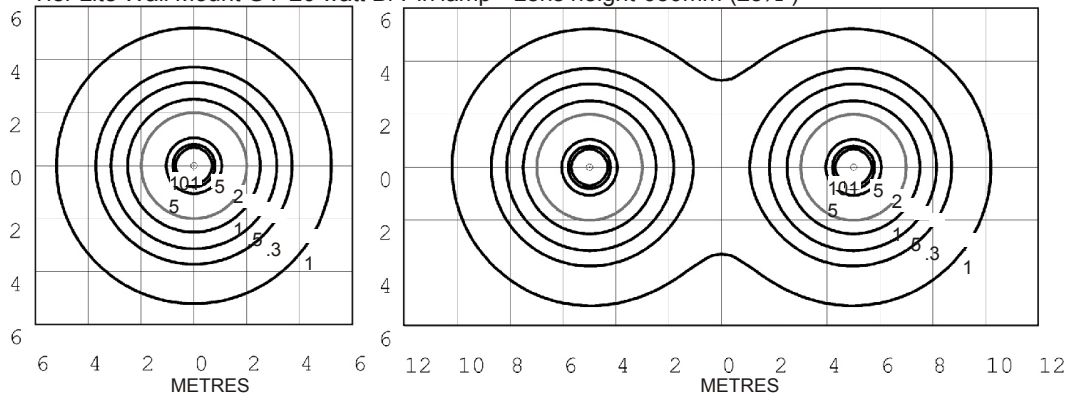
G4 - 5, 10 or 20 watt lamp max.

G9 - 25 watt lamp max.

Retro

G4 - 10 or 20 watt lamp max.

Tier Lite Wall Mount G4 20 watt Bi-Pin lamp - Lens height 650mm (25½")



Isolux Lumens Plot - Footcandles = Isolux figures divided by 10.76

HUNZA™ PURE
OUTDOOR
LIGHTING

HUNZA FACTORY
130 Felton Mathew Ave
Glen Innes
Auckland 1072
New Zealand

Ph: 64-9-528 9471
Fax: 64-9-528 9361
hunza@hunza.co.nz
www.hunzalighting.com

INTERNATIONAL CONTACTS:
[http://www.hunzalighting.com/
contact.php](http://www.hunzalighting.com/contact.php)
Specification may change without notice.
Manufactured in New Zealand.
© 2016 Hunza Holdings Ltd.