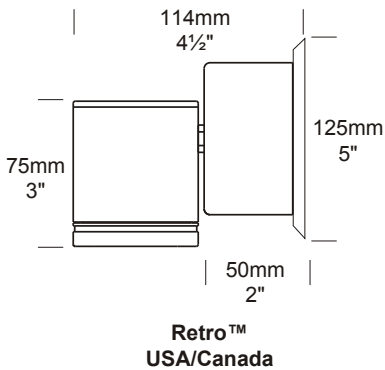
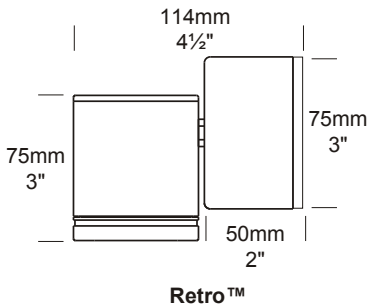
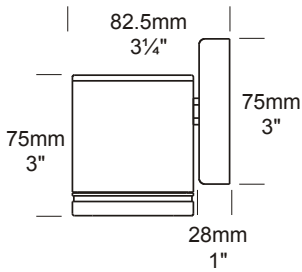


Down Lite

Cat. No. DL
 Cat. No. DL/R
 Cat. No. DLGU



The Down Lite is suitable for mounting on timber, masonry, stone, etc. It is a non-adjustable luminaire, used for one way wall washing and can be mounted with the lamp directed up or down. It is water resistant with a 78mm diameter mounting base, complete with stainless steel screws.

The Retro™ is a 110/240vac mains option suited to an installation where mounting a transformer is a problem, e.g. a brick wall where there is only the cable protruding out of the wall and it is not an option to recess the transformer or when replacing an existing light fitting. The base size increases in size to accommodate the encapsulated IP66 dimmable transformer.

A GU10 version of this luminaire is also available for line voltage lamps.

Ordering Information

| Luminaire Type | Material/Finish | Accessories |
|------------------------------------|----------------------|-------------------------------|
| DL - Down Lite | BK - Black | CJK150 - Cable Joint Kit |
| DL/R - Down Lite Retro 110/240v | BZ - Bronze | LENSSTEPF - Frosted Lens |
| DLGU - Down Lite GU10 | CT - Corten | GG - Glare Guard |
| | DG - Dark Grey | HCL - Hex Cell Louvre Adapter |
| | OG - Olive Green | WBAP - Wall Box Adapter Plate |
| | STAR - Silver Star | |
| | WB - White Birch | |
| | WH - White | |
| | COP - Copper | |
| | SS - Stainless Steel | |

Ordering example: DL BK - Down lite in Black
 DL/R SS - Down Lite Retro™ in 316 Stainless Steel
 DLGU BK - Down Lite GU10 in Black
 LENSSTEPF - Frosted Lens
 (accessories ordered separately)

Luminaire Construction

CNC machined from one of the following metals:

Aluminium

High corrosion resistant aluminium with chromate substrate and high UV resistant polyester powder coat.

Body: 63.5mm (2½") x 10mm (3/8") tube.
End cap: solid aluminium 63.5mm (2½") rod.

Base: 2mm (1/16") hand spun aluminium.
Back Plate: Cast from virgin high corrosion resistant CC401 low copper aluminium alloy.

Colours:

Black, Bronze, Corten, Dark Grey, Olive Green, Silver Star, White, White Birch.

Copper

Body: 63.5mm (2½") x 10mm (3/8") tube.
End cap: solid copper 63.5mm (2½") rod.
Base: 2mm (1/16") hand spun copper.
Back Plate: Forged brass.

316 Stainless Steel

Body: 63.5mm (2½") x 10mm (3/8") tube.
End cap: solid 316 stainless steel 63.5mm (2½") rod.
Base: 2mm (1/16") hand spun stainless steel.
Back Plate: Investment cast and CNC machined stainless steel.

Mounting

12 volt - The luminaire is mounted to the wall using two 316 stainless screws through a shallow base 16mm (5/8") in depth. A Wall Box Adaptor Plate is available as an accessory to fit 3.0 and 4.0 junction boxes for USA/Canada.

Retro - A mounting plate is fixed to the wall using two screws, the luminaire is fitted to the mounting plate.

Features

Lens

10mm (3/8") clear flush fit shatter resistant glass.

Lifetime Warranty.

Gasket

Silicone, iron impregnated 220°C (428°F).

Lamp Holder

MR16 & GU10 - 350°C (662°F) ceramic multi contact lamp holder with 250°C (480°F) Teflon cables.

Accessories

Cable Joint Kit (Cat. CJK150). Not approved for USA/Canada.


Frosted Lens (Cat. LENSSTEPF).

Glare Guard (Cat. GG).

Hex Cell Louvre Adaptor (Cat. HCL).

Wall Box Adaptor Plate (Cat. WBAP). For 12 volt luminaire for USA/Canada.

Standards

IP66, UL1838, 

Luminaire Weight

12 volt - **Aluminium** - 0.460kg (1lb)
Copper - 1.200kg (2lb 10oz)
Stainless Steel - 1.080kg (2lb 6oz)
Retro - **Aluminium** - 0.780kg (1lb 11oz)
Copper - 1.680kg (3lb 11oz)
Stainless Steel - 1.505kg (3lb 5oz)

Power Supply

12 volt - Hunza Inground or Wall Mount Transformer: not included.

USA and Canada

Hunza Wall Mount Transformer: not included.

Approved for internal use, built in ballast.

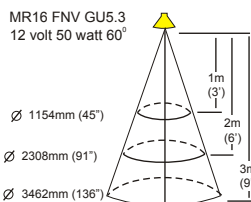
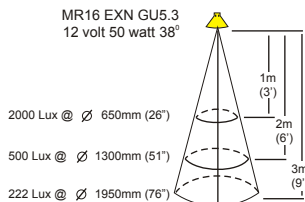
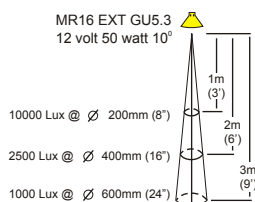
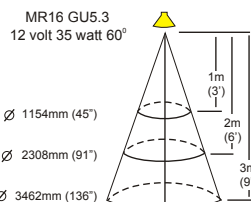
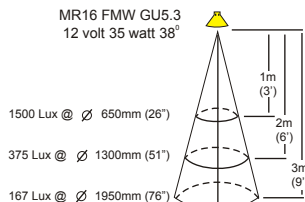
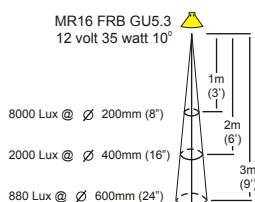
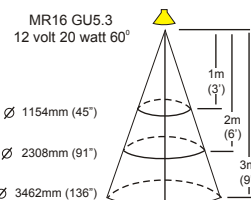
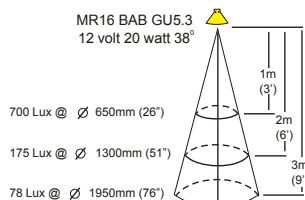
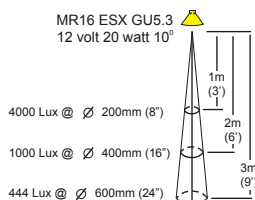
Retro - Hunza 110/240 12vac potted electronic transformer built into the base. Dimmable with a suitable dimmer. Approved for internal use.

Lamp Options

MR16 - 20 or 35 watt lamp max.
GU10 - 25 or 35 watt lamp max.

USA and Canada

MR16 - 20 or 35 watt lamp max.
GU10 - lamp not supplied.



HUNZA™ PURE OUTDOOR LIGHTING

HUNZA FACTORY
130 Felton Mathew Ave
Glen Innes
Auckland 1072
New Zealand

Ph: 64-9-528 9471
Fax: 64-9-528 9361
hunza@hunza.co.nz
www.hunzalighting.com

INTERNATIONAL CONTACTS:
<http://www.hunzalighting.com/contact.php>
Specification may change without notice.
Manufactured in New Zealand.
© 2016 Hunza Holdings Ltd.