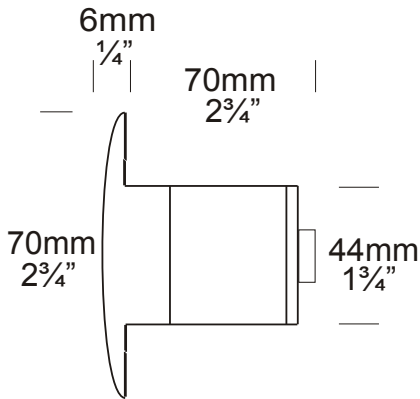


# Euro Step Lite

Cat. No. ESL



The Euro Step Lite is an extra compact luminaire designed for step lighting applications where the fixture needs to be very unobtrusive or concealed. Hunza Euro fixtures use miniature MR11 lamps to achieve a contemporary, discreet appearance but are still able to provide excellent illumination. The Euro Step Lite is designed for recessed mounting into masonry, stone or wood and when the appropriate Hunza™ mounting canister is specified there are no visible mounting screws.



## Ordering Information

### Luminaire Type

ESL - Euro Step Lite

### Material

COP - Copper  
SS - Stainless Steel

### Accessories

CJK150 - Cable Joint Kit  
ELCAN - Euro Lite Canister  
LENSEURF - Frosted Lens  
EDKCAN - Euro Lite  
Deck Canister

Ordering example: ESL SS - Euro Step Lite in 316 Stainless Steel  
ELCAN - Euro Lite Canister  
(accessories ordered separately)

**HUNZA**™ PURE  
OUTDOOR  
LIGHTING

HUNZA FACTORY  
130 Felton Mathew Ave  
Glen Innes  
Auckland 1072  
New Zealand

Ph: 64-9-528 9471  
Fax: 64-9-528 9361  
hunza@hunza.co.nz  
www.hunzalighting.com

INTERNATIONAL CONTACTS:  
[http://www.hunzalighting.com/  
contact.php](http://www.hunzalighting.com/contact.php)  
Specification may change without notice.  
Manufactured in New Zealand.  
© 2016 Hunza Holdings Ltd.

## Luminaire Construction

**CNC machined from one of the following metals:**

### Copper

Body: 45.4mm (1<sup>3</sup>/<sub>4</sub>" ) x 80mm (3") copper rod.

Flange: 70mm (2<sup>3</sup>/<sub>4</sub>" ) copper bar.

### 316 Stainless Steel

Body: 45.4mm (1<sup>3</sup>/<sub>4</sub>" ) x 80mm (3") stainless steel rod.

Flange: 70mm (2<sup>3</sup>/<sub>4</sub>" ) stainless steel bar.

## Mounting

The luminaire is fixed in place using a mounting canister. There are no mounting screws in the flange to spoil aesthetics of the luminaire.

## Features

### Lens

6mm (1/4") clear flush fit shatter resistant glass with Hex Cell Louvre for glare control.

Lifetime Warranty.

### Gaskets

Silicone, iron impregnated 220°C (428°F).

### Lamp Holder

MR11 - 350°C (662°F) ceramic multi contact lamp holder with 250°C (480°F) Teflon cables.

## Accessories


**Cable Joint Kit** (Cat. CJK 150). Not approved for USA/Canada.

**Frosted Lens** (Cat. LENSEURF).

**Euro Lite Canister** (Cat. ELCAN).

**Euro Deck Canister** (Cat. EDKCAN).

## Standards

IP67, UL1838, 

## Luminaire Weight

**Copper** - 0.635kg (1lb 6oz)

**Stainless Steel** - 0.585kg (1lb 4oz)

## Power Supply

Hunza Inground or Wall Mount Transformer: not included.

### USA and Canada

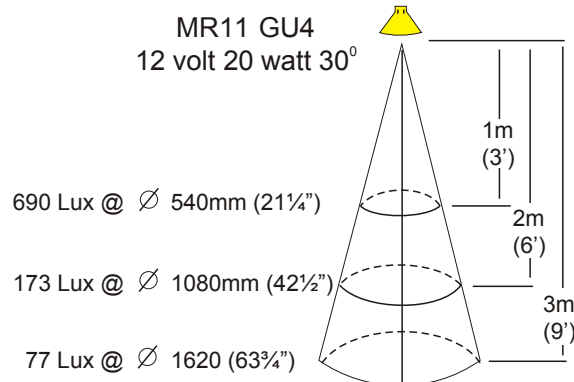
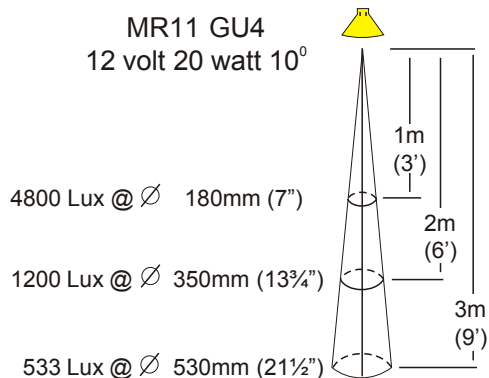
Hunza Wall Mount Transformer: not included.

## Lamp Options

MR11 - 20 watt lamp max.

### USA and Canada

MR11 - 10 watt lamp max.



**HUNZA**™ PURE  
OUTDOOR  
LIGHTING

HUNZA FACTORY  
130 Felton Mathew Ave  
Glen Innes  
Auckland 1072  
New Zealand

Ph: 64-9-528 9471  
Fax: 64-9-528 9361  
hunza@hunza.co.nz  
www.hunzalighting.com

INTERNATIONAL CONTACTS:  
[http://www.hunzalighting.com/  
contact.php](http://www.hunzalighting.com/contact.php)  
Specification may change without notice.  
Manufactured in New Zealand.  
© 2016 Hunza Holdings Ltd.