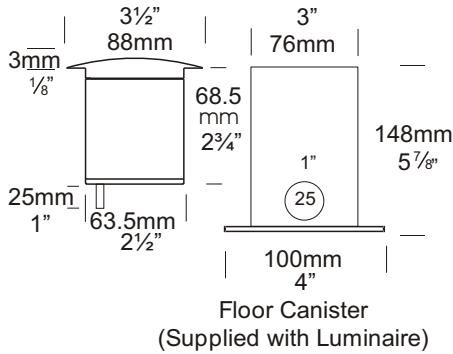


# Floor Lite

Cat. No. FLSP

Cat. No. FLLU

Cat. No. FLSPGU



The Floor Lite has an extremely low profile (3mm) and can be walked upon without damaging the luminaire.

There are two flange designs: Louvre (45 degree angle) and Spot, supplied with a mounting canister.

The luminaire is available in 316 Stainless Steel. The Floor Lite Spot is also available in copper.

A GU10 version of this luminaire is also available for line voltage lamps.

## Ordering Information

Luminaire Type	Material	Accessories
FLSP - Floor Lite Spot	SS - 316 Stainless Steel	CJK150 - Cable Joint Kit
FLLU - Floor Lite Louvre		Canss - 316 Stainless Steel Canister
FLSPGU - Floor Lite GU10 version		LENSSTEPF - Frost Lens
		Dkcan - Deck Canister
		FLcan - Floor Lite Canister
		GU - GU10 Option
		HCL - Hex Cell Adaptor

Ordering Example: FLSP SS - Floor Lite Spot 316 Stainless Steel



**HUNZA**™ PURE OUTDOOR LIGHTING

**HUNZA FACTORY**  
130 Felton Mathew Ave  
Glen Innes  
Auckland 1072  
New Zealand

Ph: 64-9-528 9471 Fax:  
64-9-528 9361  
hunza@hunza.co.nz  
www.hunzalighting.com

**INTERNATIONAL CONTACTS:**  
[www.hunzalighting.com/contact.php](http://www.hunzalighting.com/contact.php)

Specifications may change without notice.  
Manufactured in New Zealand.  
© 2016 Hunza Holdings Ltd.

Ver 1.4

## Luminaire Construction

CNC machined from:

Body:

316 Stainless Steel 63.5mm (2½") x 9mm (11/32"). End cap - solid 316 stainless steel 63.5mm (2½") rod.

Flange:

316 Stainless Steel 90mm (3½").

## Mounting

The luminaire is pushed into the canister and is held by two silicone "O" rings: Canss, FLcan, Flucan: Cast into concrete, brick, concrete block, etc.

Dkcan: mounted into wooden decks, wooden frames, etc.

## Features

Lens:

3mm (1/8") clear tempered shatter resistant glass.

Lifetime Warranty.

Gasket:

Silicone, iron impregnated 220 °c (428 °f).

Lamp Holders:

GU5.3 & GU10 - 350°c (662°f) ceramic multi contact lamp holder with 250°c (480°f) teflon cables.

Accessories:

Cable Joint Kit (Cat. CJK150)

Not approved for USA /Canada.

Deck Canister (Cat. Dkcan).

Frosted Lens (Cat. LENSSTEPF).

Floor Canister (Cat. FLcan).

GU10 Option (Cat. GU).

Hex Cell Louvre Adaptor (Cat. HCL)

(Note: Supplied as standard for USA/Canada).

316 Stainless Canister for use in lime stone etc. (Cat. Canss).

## Standards

EN60598

IP67



UL1838

## Luminaire Weight

SS .995kg (2lb 3oz)

## Power Supply

HUNZA™ Inground or Wall Mount Transformer: not included.

USA and Canada:

HUNZA™ W all Mount Transformer: not included.

## Luminaire: supplied with

MR16 GU5.3 - 20 watt lamp max.

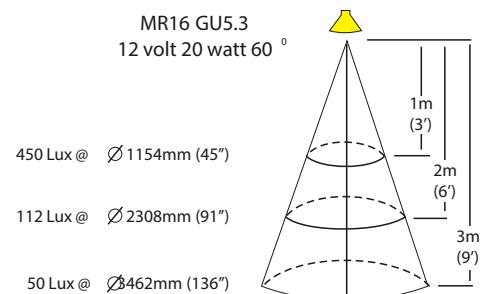
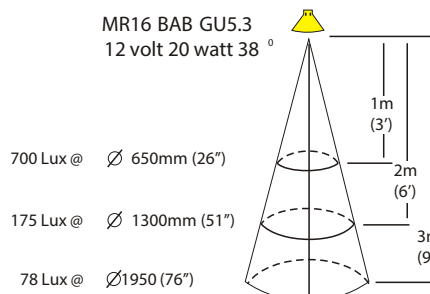
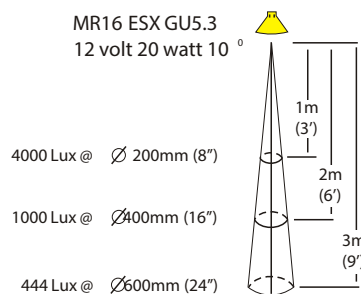
GU10 - GU10 25 or 35 watt lamp max.

LED - Refer to previous page.

USA and Canada

MR16 GU5.3 20 watt lamp max.

GU10 Halogen - Lamp not supplied



These diagrams refer to the Spot Lite Flange (D) only.

**HUNZA**™ PURE  
OUTDOOR  
LIGHTING

HUNZA FACTORY  
130 Felton Mathew Ave  
Glen Innes  
Auckland 1072  
New Zealand

Ph: 64-9-528 9471 Fax:  
64-9-528 9361  
hunza@hunza.co.nz  
[www.hunzalighting.com](http://www.hunzalighting.com)

INTERNATIONAL CONTACTS:  
[www.hunzalighting.com/contact.php](http://www.hunzalighting.com/contact.php)

Specifications may change without notice.  
Manufactured in New Zealand.  
© 2016 Hunza Holdings Ltd.

Ver 1.4