

Ultra 12 Spot Light Tunable White

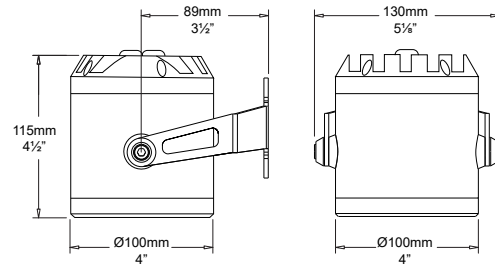


PROJECT:
TYPE:
SOURCE:
NOTES:

SPECIFICATIONS

IK10 IP67 CE (PENDING) cUL US LISTED

LED Chip	Bridgelux field replaceable LED board
LED Life Expectancy	50,000 hours L70
Luminaire Output	850-970 Lumens minimum 2700-5000K @ 500mA (9 watts), delivered from the Luminaire with unobstructed beam
Lumens Per Watt	94 Lumens minimum @ 9 watts, delivered from Luminaire with unobstructed beam
CRI (3000K)	90 Standard
Colour Temperatures	2700K - 5000K tunable white
Beam Angles	18, 24, 46, 60
Ingress Protection	IP67
Inverse Kinematics Rating	IK10
Warranty	Electronics = 5 years Aluminium Body = 5 years
Standards	BS/EN 60598.2.2 cUL 1598, 2108, 1838 (PENDING) CE



*The Ultra 12 Spot must be specified with a mounting accessory.

PRODUCT CONFIGURATION

Please fill in appropriate codes into boxes provided

Cat. No. STW/U12

Luminaire	Power	Material/Finish	Beam	Colour	Accessories
STW/U12					
SR Series Remote					
SR Series Remote Driver Constant current 2 channel 2 channel 0-10 Volt Dimming remote mounted driver (supplied). Input: 100-277VAC. Output: 18vf @ 500mA per channel.		ALUMINIUM EBK BLACK EBZ BRONZE EOGR OLIVE GREEN EWH WHITE EWB WHITE BIRCH EDG DARK GREY ESTAR SILVER STAR ECT CORTEN	18 18° 24 24° 46 46° 60 60°	TW Tunable White	CJK Cable Joint Kit HCL/U12 Hex Cell Louvre ULT12GG Glare Guard ULT12SNT Snoot Mounting Options *Luminaire must be specified with a mounting accessory. PB/U12 Pole Bracket* ULT12SPK Spike* ULT12WP Wall Plate*

Additional Comments:

*Due to continued product enhancements, specifications may change without notification.

LUMINAIRE CONSTRUCTION

CNC machined from one of the following metals:

Aluminium:

Body: 101mm (4") high corrosion resistant aluminium rod with chromate substrate and high UV resistant polyester powder coat.

Colours: Black, Bronze, Silver Star, White, White Birch, Olive Green, Dark Grey, Corten.

316 Stainless Steel:

Bracket: laser cut and folded 316 stainless steel.

Adjustability:

The fully adjustable head allows 120 degree rotation and 0-120 degree elevation.

Cable:

Water resistant rubber.

Gaskets:

Silicone, iron impregnated 220°C (428°F).

Step Lens:

12mm (1/2") extra clear, low iron, shatter resistant glass. Lifetime warranty.

Mounting:

The mounting bracket is fixed to the surface using two stainless steel screws.

Pole Bracket - mount to pre-installed poles.

Spike - mount into the earth/soft ground.

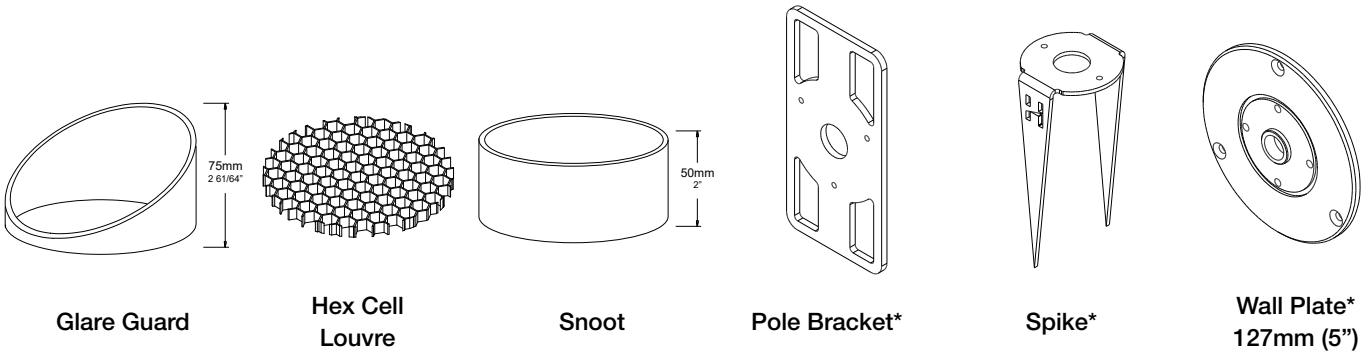
Wall Plate - mount over junction boxes.

Luminaire Weight:

2kg (4lb 6.5oz)

ACCESSORIES

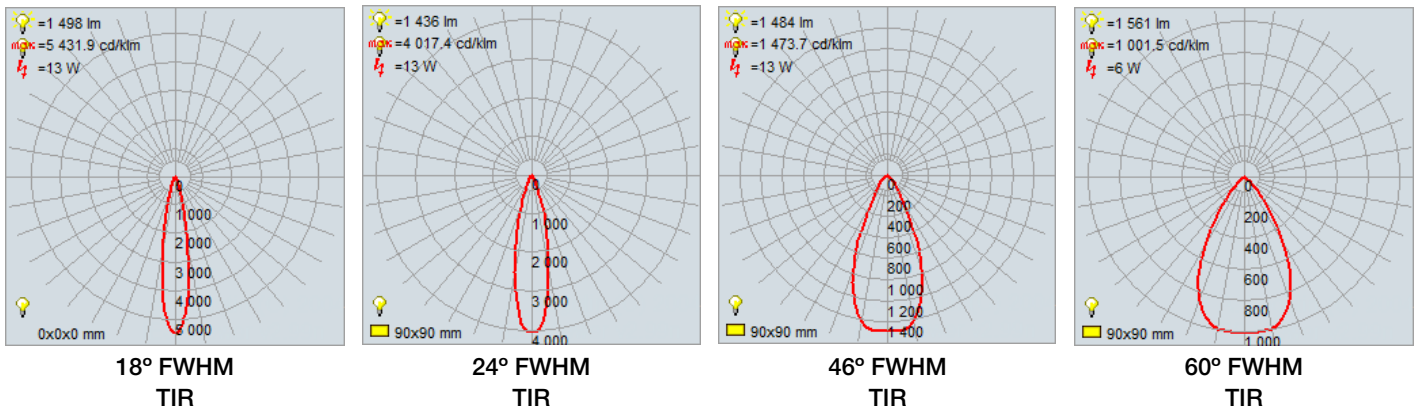
*Luminaire must be specified with a mounting accessory.



BEAM ANGLES

High efficiency Reflectors. Field replaceable

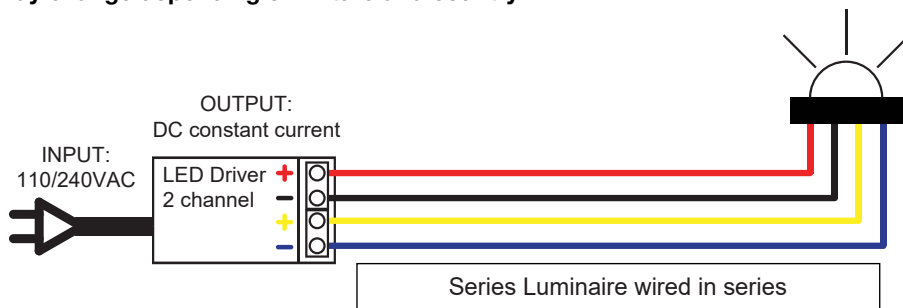
IES files available for download: hunzalighting.com/downloads



WIRING GUIDE

Available for download: hunzalighting.com/downloads

NOTE: Diagrams are a guide only, wire colours and polarity may change depending on fixture and country.



*Due to continued product enhancements, specifications may change without notification.



HUNZA LIGHTING
 130 Felton Mathew Ave
 Saint Johns
 Auckland 1072
 New Zealand

Ph: +64-9-528 9471
 Fax: +64-9-528 9471
 hunza@hunza.co.nz
 www.hunzalighting.com

INTERNATIONAL CONTACTS:
www.hunzalighting.com/contact

This document contains proprietary information of Hunza™. Its receipt or possession does not convey any rights to reproduce or disclose its content.