

## Ultra 12 Spot Light

PROJECT:
TYPE:
SOURCE:
NOTES:

### SPECIFICATIONS IK10 IK67 CE (PENDING) UL US LISTED

LED Chip	Cree CXA 1512 field replaceable LED board
Luminaire Output	1300 Lumens minimum 3000K @700mA (12 watts), delivered from the Luminaire with unobstructed beam
Lumens Per Watt	108 Lumens minimum @ 12 watts, delivered from Luminaire with unobstructed beam
CRI (3000K)	80 Standard, 90+ Optional
Colour Temperatures	2700K, 3000K, 4000K, 3000K (90+CRI)
Beam Angles	18, 24, 46, 60
Ingress Protection	IP67
Inverse Kinematics Rating	IK10
Warranty	Electronics = 5 years Aluminium Body = 5 years
Standards	BS/EN 60598.2.2 cUL 1598, 2108, 1838 (PENDING) CE



\*The Ultra 12 Spot must be specified with a mounting accessory.

### PRODUCT CONFIGURATION

Please fill in appropriate codes into boxes provided

Cat. No. S/U12

Luminaire	Power	Material/Finish	Beam	Colour	Accessories
<span style="border: 1px solid black; padding: 2px;">S/U12</span>					
<ul style="list-style-type: none"> <li><span style="border: 1px solid black; padding: 2px;">SR</span> 700mA Input, Series Wired 12W</li> <li><span style="border: 1px solid black; padding: 2px;">D24</span> 24VDC Input, Parallel Wired</li> <li><span style="border: 1px solid black; padding: 2px;">R</span> RETRO™, 120-277VAC Input, Parallel Wired</li> </ul>		<ul style="list-style-type: none"> <li><span style="border: 1px solid black; padding: 2px;">EBK</span> BLACK</li> <li><span style="border: 1px solid black; padding: 2px;">EBZ</span> BRONZE</li> <li><span style="border: 1px solid black; padding: 2px;">EOGR</span> OLIVE GREEN</li> <li><span style="border: 1px solid black; padding: 2px;">EWH</span> WHITE</li> <li><span style="border: 1px solid black; padding: 2px;">EWB</span> WHITE BIRCH</li> <li><span style="border: 1px solid black; padding: 2px;">EDG</span> DARK GREY</li> <li><span style="border: 1px solid black; padding: 2px;">ESTAR</span> SILVER STAR</li> <li><span style="border: 1px solid black; padding: 2px;">ECT</span> CORTEN</li> </ul>	<ul style="list-style-type: none"> <li><span style="border: 1px solid black; padding: 2px;">18</span> 18°</li> <li><span style="border: 1px solid black; padding: 2px;">24</span> 24°</li> <li><span style="border: 1px solid black; padding: 2px;">46</span> 46°</li> <li><span style="border: 1px solid black; padding: 2px;">60</span> 60°</li> </ul>	<ul style="list-style-type: none"> <li><span style="border: 1px solid black; padding: 2px;">2</span> 2700K</li> <li><span style="border: 1px solid black; padding: 2px;">3</span> 3000K</li> <li><span style="border: 1px solid black; padding: 2px;">4</span> 4000K</li> <li><span style="border: 1px solid black; padding: 2px;">39</span> 3000K 90+ CRI</li> </ul>	<ul style="list-style-type: none"> <li><span style="border: 1px solid black; padding: 2px;">CJK</span> Cable Joint Kit</li> <li><span style="border: 1px solid black; padding: 2px;">HCL/U12</span> Hex Cell Louvre</li> <li><span style="border: 1px solid black; padding: 2px;">ULT12GG</span> Glare Guard</li> <li><span style="border: 1px solid black; padding: 2px;">ULT12SNT</span> Snoot</li> </ul> <p><b>Mounting Options</b></p> <p>*Luminaire must be specified with a mounting accessory.</p> <ul style="list-style-type: none"> <li><span style="border: 1px solid black; padding: 2px;">PB/U12</span> Pole Bracket*</li> <li><span style="border: 1px solid black; padding: 2px;">ULT12SPK</span> Spike*</li> <li><span style="border: 1px solid black; padding: 2px;">ULT12WP</span> Wall Plate*</li> </ul>
<p><b>SR</b> Series Remote Driver (Included, NOT Installed) Constant current driver. Individual fixtures require 18vf @ 700mA maximum. Dimming option available (0-10 Volt)</p> <p><b>D24</b> 24VDC DRIVER: Input: 24vdc constant voltage. Output: 12 watts 18vf @ 700mA (non dimming).</p> <p><b>R</b> RETRO™ 110-277VAC DRIVER: Constant current driver (included). Input: 120, 240, 277 volts. Output: 12 watts 18vf @ 700mA (non dimming).</p>					
<p><b>Additional Comments:</b></p>					

\*Due to continued product enhancements, specifications may change without notification.

# LUMINAIRE CONSTRUCTION

**CNC machined from one of the following metals:**

**Aluminium:**

Body: 101mm (4") high corrosion resistant aluminium rod with chromate substrate and high UV resistant polyester powder coat.

Colours: Black, Bronze, Silver Star, White, White Birch, Olive Green, Dark Grey, Corten.

**316 Stainless Steel:**

Bracket: laser cut and folded 316 stainless steel.

**Adjustability:**

The fully adjustable head allows 120 degree rotation and 0-120 degree elevation.

**Cable:**

Water resistant rubber.

**Gaskets:**

Silicone, iron impregnated 220°C (428°F).

**Step Lens:**

12mm (1/2") extra clear, low iron, shatter resistant glass. Lifetime warranty.

**Mounting:**

The mounting bracket is fixed to the surface using two stainless steel screws.

Pole Bracket - mount to pre-installed poles.

Spike - mount into the earth/soft ground.

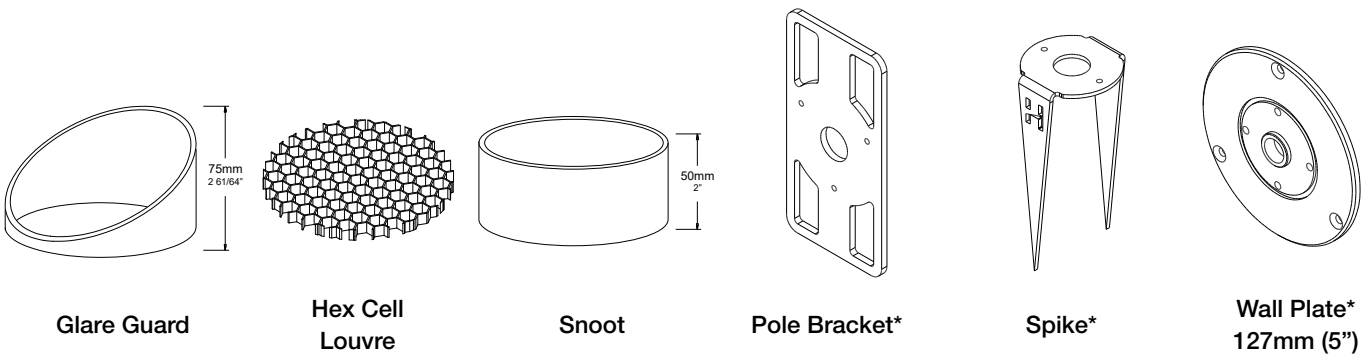
Wall Plate - mount over junction boxes.

**Luminaire Weight:**

2kg (4lb 6.5oz)

## ACCESSORIES

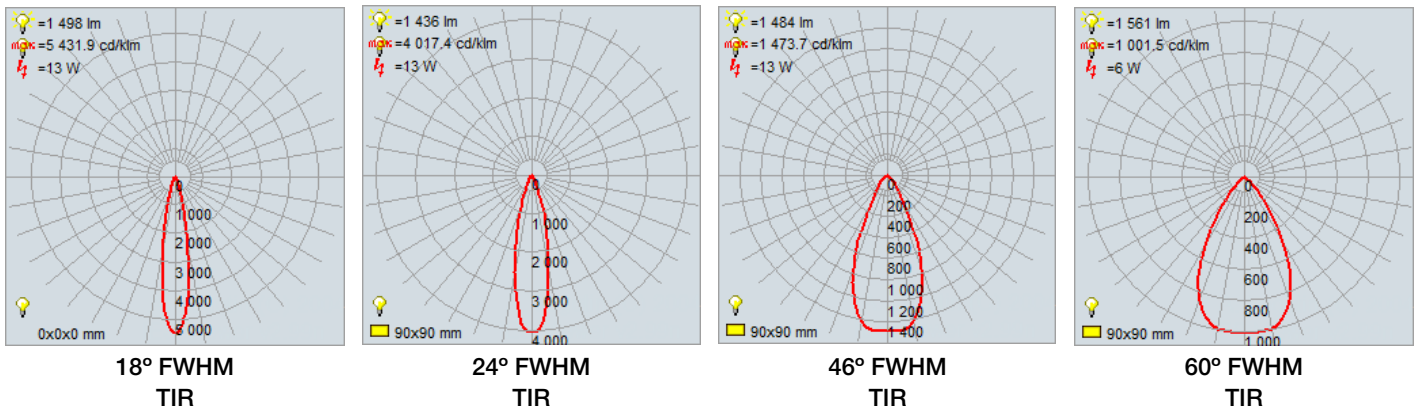
\*Luminaire must be specified with a mounting accessory.



## BEAM ANGLES

High efficiency Reflectors. Field replaceable

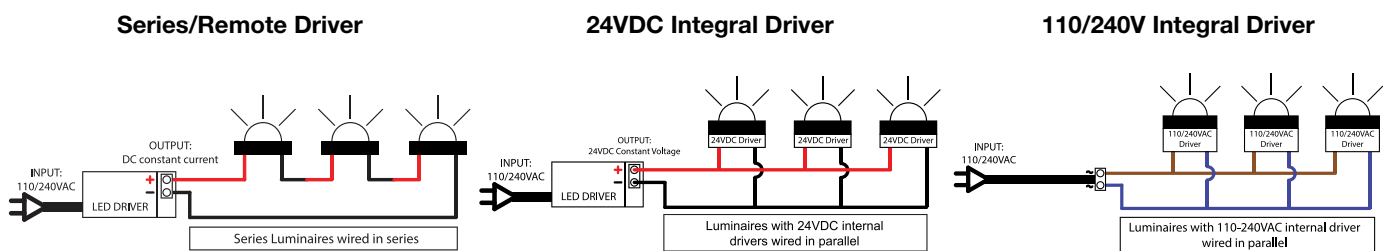
IES files available for download: [hunzalighting.com/downloads](http://hunzalighting.com/downloads)



## WIRING GUIDE

Available for download: [hunzalighting.com/downloads](http://hunzalighting.com/downloads)

**NOTE:** Diagrams are a guide only, wire colours and polarity may change depending on fixture and country.



\*Due to continued product enhancements, specifications may change without notification.



**HUNZA LIGHTING**  
130 Felton Mathew Ave  
Saint Johns  
Auckland 1072  
New Zealand

Ph: +64-9-528 9471  
Fax: +64-9-528 9471  
hunza@hunza.co.nz  
www.hunzalighting.com

**INTERNATIONAL CONTACTS:**  
[www.hunzalighting.com/contact](http://www.hunzalighting.com/contact)

This document contains proprietary information of Hunza™. Its receipt or possession does not convey any rights to reproduce or disclose its content.