

CAST SOLID BRONZE FLOOD LITE

Installation instructions

Follow Diagram opposite to correctly fix the Bracket to the desired surface. Fixing screws are provided however some mediums may require different fixing hardware. If so please ensure the fixing hardware is adequate to take the weight of the fixture.

After Bracket has been fixed in place make the input connections. All connections should be water tight to stop water ingress into the fixture via power cables.

See diagrams below

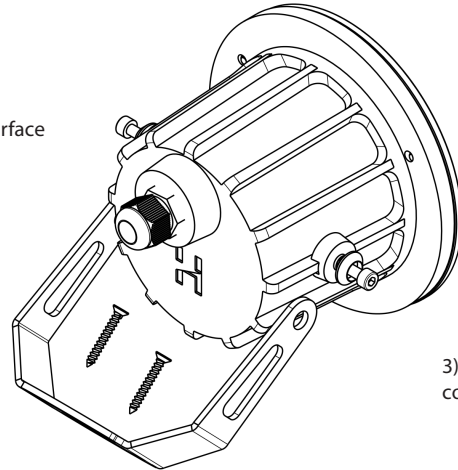
Warning: Do not connect secondary side (output) of a live driver to the Fixture. This will cause a spike in voltage that can damage the LED. When connecting or disconnecting the fitting always insure the 120/240V power supply is disconnected.

When using a photocell and/or timer we recommend using devices with relay outputs as opposed to electronic. The high frequency of Electronic devices can lead to failure of the LED driver.

Do not water blast/jet wash this fixture under any circumstance

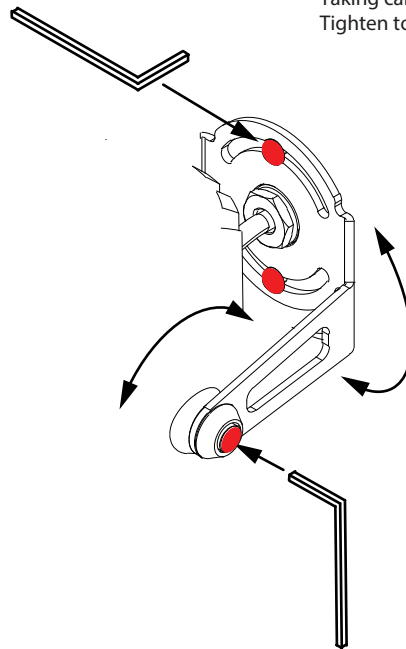
1) Remove the bracket from the fixture by undoing the two bolts and ferrules on the side of fixture.

2) Fix Bracket plate to surface using screws provided.



3) Arrange electrical connections

4) Refit the main Fixture body onto the bracket Taking care to reinstall the ferrules and Bolts Tighten to fix the aiming position.



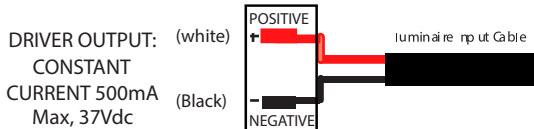
Adjusting Head position.

Use Hex (allen) key provided to loosen indicated screws to adjust rotation and head angle.

Once desired positioning is achieved tighten screws to lock in place

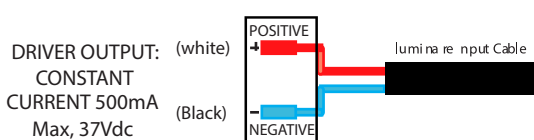
REMOTE DRIVEN (SERIES) CONNECTIONS UK/EUROPE/AUSTRALASIA/ASIA

Make input connections according to diagram below.



REMOTE DRIVEN (SERIES) CONNECTIONS USA

Make input connections according to diagram below.



LED replacement

Unscrew the Screws that hold down the Lens Ring. Remove gasket and Lens. The Hexcell if present and Twist the reflector out anticlockwise The LED holder can now be unscrewed and the LED replaced. Reverse action to seal making sure components are replaced in correct order. Incorrect order can lead to failure of LED and/ or leaking. Please insure no dirt or grit is present around lens or gasket.

