

ADJUSTABLE LINEAR LIGHT

Installation instructions

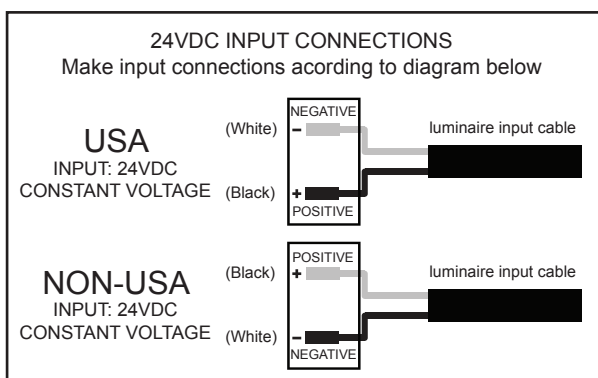
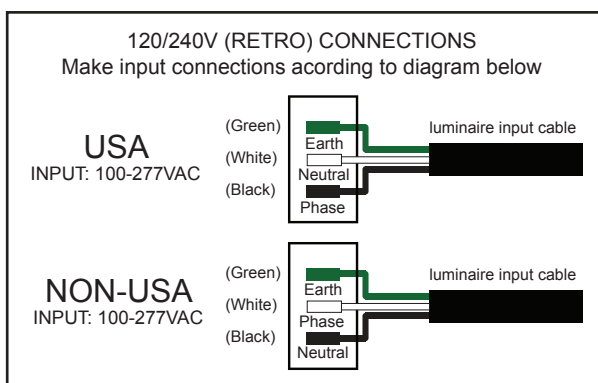
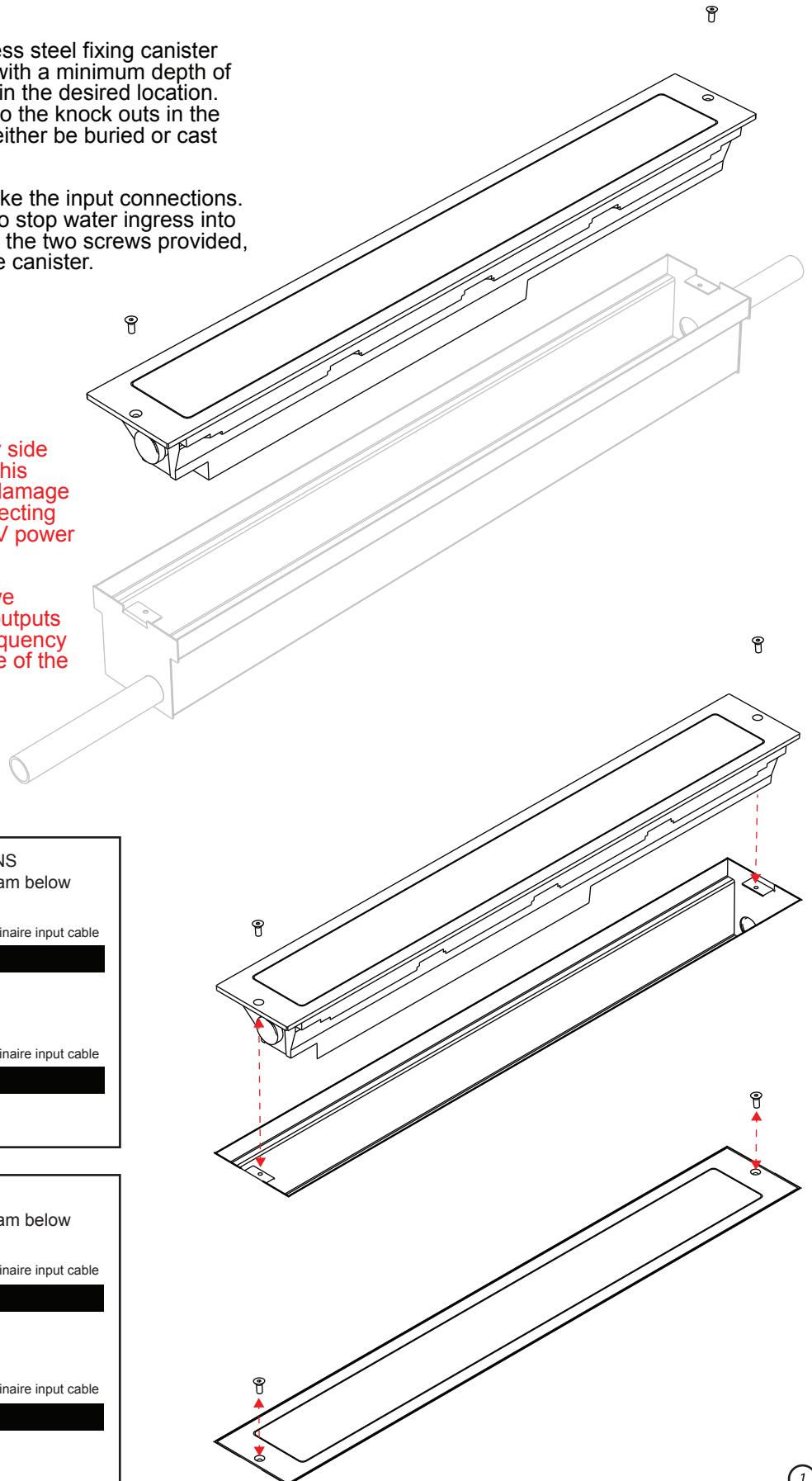
Provided with the luminaire is a stainless steel fixing canister which is easily installed. Dig a trench with a minimum depth of 90mm (3.5") and position the canister in the desired location. Bring 25mm (1") electrical conduit up to the knock outs in the side of the canister. The canister can either be buried or cast into place.

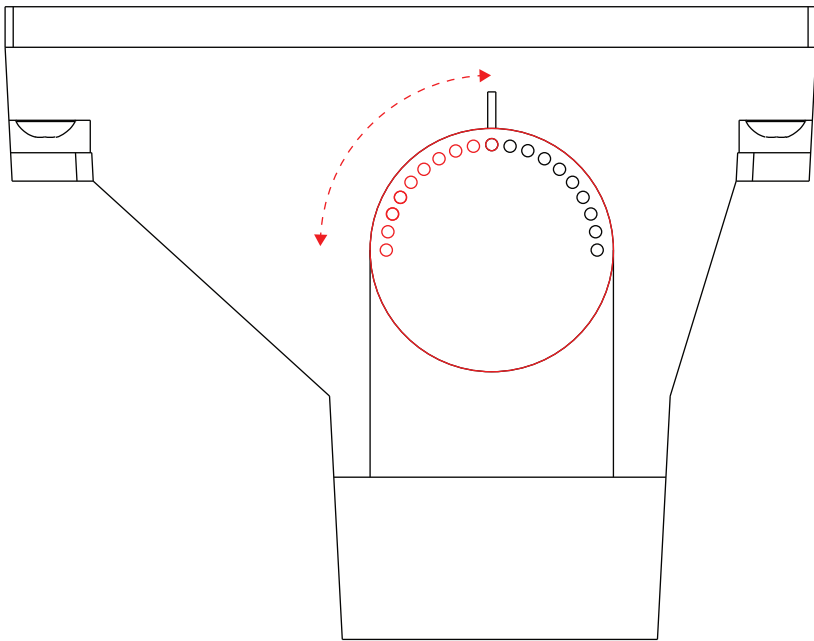
Once the canister is firmly in place make the input connections. All connections should be water tight to stop water ingress into the fixture via the power cables. Using the two screws provided, the luminaire can then be fixed into the canister.

See wiring diagrams below.

WARNING: Do not connect secondary side (output) of a live driver to the fixture. This will cause a spike in voltage that can damage the LED. When connecting or disconnecting the fitting always ensure the 120/240V power supply is disconnected.

When using a photocell and/or timer we recommend using devices with relay outputs as opposed to electronic. The high frequency of electronic devices can lead to failure of the LED driver.





ADJUSTING ROTATING ASSEMBLY

The adjustment handle on the end of the fixture allows for 90 degrees of adjustment allowing the user to angle the light at the wall where required.

Each 'dot' on the adjustment handle indicates 10 degrees of adjustment allowing the user to easily select an angle before placing the fixture into the canister.

LED REPLACEMENT

MAKE SURE POWER IS SWITCHED OFF BEFORE UNDERTAKING THE LED REPLACEMENT.

Undo the 2 faceplate screws holding the fixture into the canister. Undo the 10 screws holding the flange to the body. Remove the flange and lens. Remove the rotating assembly by undoing the grub screw at the end and pulling the adjustment handle out. Remove LED cover if installed. Lastly, undo the 4 screws holding the LED board in place. Pay close attention to component order. The LED circuit board can now be changed. Reverse action to seal making sure components are placed in the correct order. Incorrect order can lead to failure of LED and/or water ingress. Please ensure no dirt or grit is present around lens or gasket.

DO NOT WATER BLAST/JET WASH THIS FIXTURE UNDER ANY CIRCUMSTANCES.

