

PILLAR LITE HIGH POWER RGBW INSTALLATION INSTRUCTIONS

NOTE: THESE INSTRUCTIONS MUST NOT CONTRAVENE YOUR LOCAL ELECTRICAL AUTHORITY REGULATIONS, WITH WHICH ALL INSTRUCTIONS HERE IN MUST COMPLY. PLEASE KEEP INSTRUCTIONS FOR FUTURE REFERENCE.

Warning: We recommend when connecting to photocells and timers that the outputs of these devices be a relay output and not an electronic output. This is due to the high frequency output of these devices which can lead to failure of the driver.

Apply sufficient silicone sealant to the groove on the back of the mounting plate, to seal against the wall. Fit cables through 25mm hole (If mounted on porous material e.g. mortar or if there is any possibility of water leaking down the cable track, the cable must be sealed around the 25mm hole in the backplate to stop water building up in the Driver housing). Mount the back plate onto the wall. (See Fig. 1)

Connect the Driver as shown in the diagram below

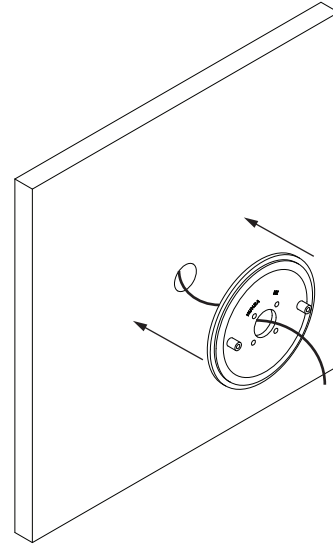
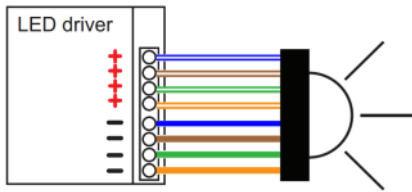


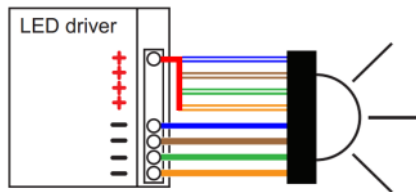
Fig. 1

REMOTE DRIVER SUPPLIED WITH FIXTURE.

Run 8 Core conductors to the fixture and house the driver remotely.



1 Fixture per driver - 8 Wire format



1 Fixture per driver - Common positive format

Diagrams are a guide only, wire colours and polarity may change depending on fixture and country

Once connections have been made fix the luminaire onto the mounting plate (check that the backplate gasket is in place) and use screws provided to secure luminaire. Make sure to use the washers supplied are fitted under the mounting screws to stop water leaking into the luminaire. If there is any possibility of water leading down the cable track, the cable entry point must be waterproof sealed. (See Fig. 2)

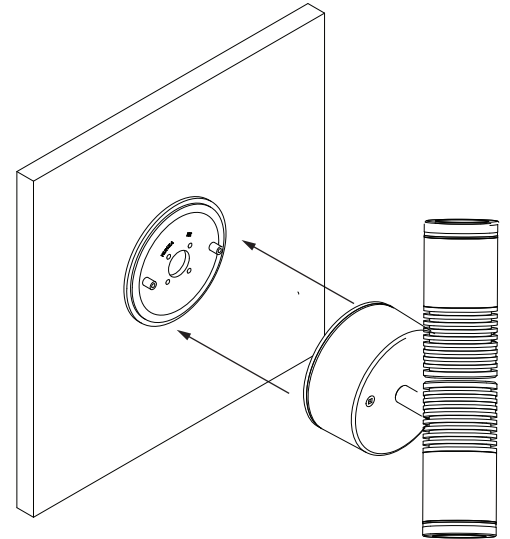


Fig. 2

Warning: Do not disconnect the LED luminaire from secondary side of the the driver connected to the mains. Switch off mains FIRST then disconnect luminaire from the output side of the driver.

Do not water blast/jet wash this fixture under any circumstance

DO NOT connect in close proximity to inductive loads, eg. air conditioning systems, water pumps etc. without appropriate mains filtering. Use a suppression interface module for every six luminaires connected to the circuit.

DO NOT carry out a Megger or insulation test on a circuit with a RETRO™ luminaires connected to it.

DO NOT mount on a horizontal surface where water may collect or pool.

DO NOT connect to any Electronic Home System without checking with the manufacturer that it is suitable to control the HUNZA™ luminaire.