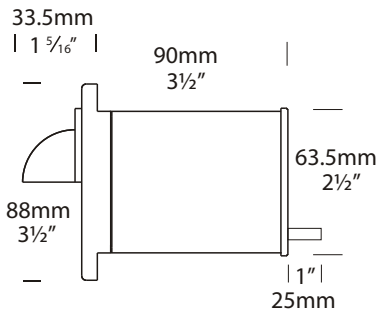
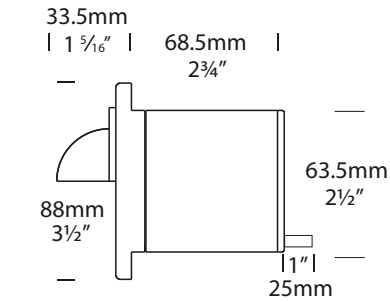


Step Lite Eyelid

Cat. No. SLE

Cat. No. SLEGU



GU10 Option



The Step Lite Eyelid is designed with a 88mm (3 1/2") flange and recessed body for flush mounting into masonry, stone or wood, providing illumination of steps and low level features such as exterior paved areas. The Eyelid feature eliminates all upward light, providing an excellent glare-free illuminating effect. When a canister is used there are no mounting holes in the flange.

A GU10 version of this luminaire is also available for line voltage lamps. However, a longer luminaire body is needed to accommodate the longer lamp.

Ordering Information

Luminaire Type

SLE - Step Lite Eyelid

Material/Finish

- BK - Black
- BZ - Bronze
- GN - Green
- STAR - Silver Star
- WH - White
- WB - Birch
- DG - Dark Grey
- OG - Olive Green
- RG - Beige
- PR - Primrose
- COP - Copper

Accessories

- CJK150 - Cable Joint Kit
- LENSSTEPF - Frosted Lens
- HCL - Hex Cell Louvre Adaptor
- Canss - 316 Stainless Steel Canister
- Scan - Step Lite Canister
- GU - GU10 Option

Ordering Example: SLE COP - Step Lite Eyelid in Copper
 SLEGU BK - Step Lite Eyelid GU10 in Black
 HCL STAR - Hex Cell Louvre in Silver Star
 (Accessories ordered separately)

HUNZA™ PURE OUTDOOR LIGHTING

HUNZA FACTORY
 130 Felton Mathew Ave
 Glen Innes
 Auckland 1072
 New Zealand

Ph: 64-9-528 9471
 Fax: 64-9-528 9361
 hunza@hunza.co.nz
 www.hunza.co.nz

INTERNATIONAL CONTACTS:
www.hunza.co.nz/contacts.php

Specifications may change without notice.
 Manufactured in New Zealand.
 © 2011 Hunza Holdings Ltd.

Luminaire Construction

CNC machined from one of the following metals:

High corrosion resistant 63.5mm (2½") x 10mm (25/64") aluminium. End cap - solid aluminium 63.5mm (2½") rod, flange 90mm (3½") solid aluminium rod with chromate substrate and high UV resistant polyester powder coat

Colours Black, Bronze, Green, Silver Star, White, Birch, Dark Green, Olive Green, Beige, Primrose.

Copper: 63.5mm (2½") x 10mm (13/32"). End cap - solid copper 63.5mm (2½") rod. Flange 90mm (3½") solid copper rod.

Mounting

Designed to fit through a 66mm (2 5/8") hole and be fixed into position by two screws in the flange or a Step Lite canister (see accessories) can be used which maintains the aesthetic look of the flange by eliminating the two screw holes in the flange.

Features

Lens:

3mm (1/8") thick clear tempered shatter resistant glass.

Lifetime Warranty .

Gaskets:

Silicone, iron impregnated 220°C (428°F).

Lamp Holders:

GU5.3 & GU10 - 350°C (662°F) ceramic multi contact lamp holder with 250°C (480°F) teflon cables.

Accessories:

Cable Joint Kit (Cat. CJK150)

Not approved for USA /Canada.

Frosted Lens (Cat. LENSSTEPF).

Hex Cell Louvre Adaptor (Cat. HCL).

Step Canister (Cat. Slcan).

316 S stainless Canister for use in lime stone etc. (Cat. Canss).

GU10 Option (Cat. GU).

Standards

EN60598

IP66/IP68



UL1838

Luminaire Weight

12 volt

Alum .465kg (1lb)

Cop 1.340kg (2lb 15oz)

Power Supply

HUNZA™ Inground or Wall Mount Transformer: not included.

USA and Canada :

HUNZA™ Wall Mount Transformer: not included.

Luminaire: supplied with

Halogen

MR16 GU5.3 20 watt lamp max.

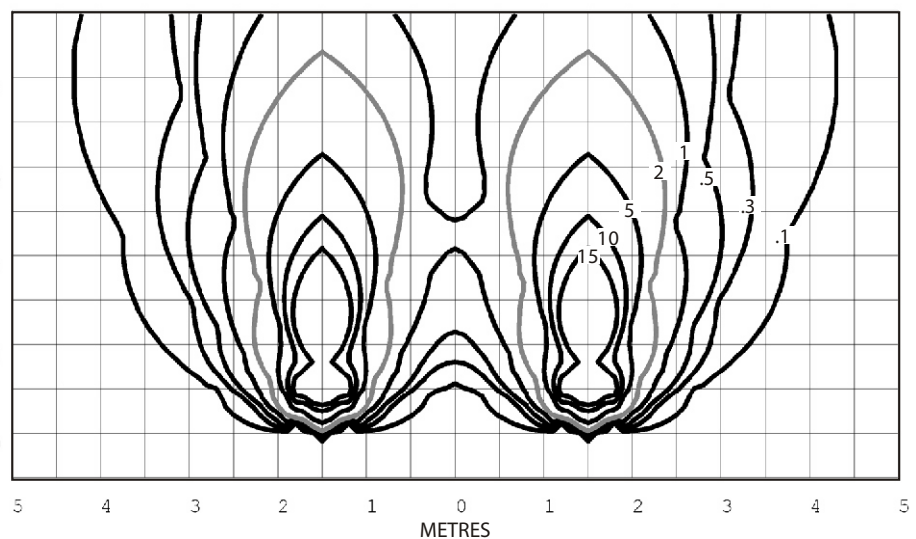
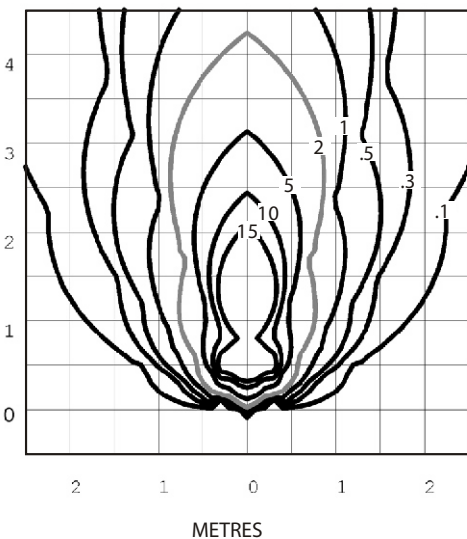
GU10 - GU10 25 or 35 watt lamp max

USA and Canada:

MR16 GU5.3 20 watt lamp max.

GU10 Halogen - Lamp not supplied

Step Lite Eyelid MR16 BAB 20 watt lamp - Lens height 400 mm (15¾")



HUNZA™ PURE OUTDOOR LIGHTING

HUNZA FACTORY
130 Felton Mathew Ave
Glen Innes
Auckland 1072
New Zealand

Ph: 64-9-528 9471
Fax: 64-9-528 9361
hunza@hunza.co.nz
www.hunza.co.nz

INTERNATIONAL CONTACTS:
www.hunza.co.nz/contacts.php

Specifications may change without notice.
Manufactured in New Zealand.
© 2011 Hunza Holdings Ltd.

Ver 1.4