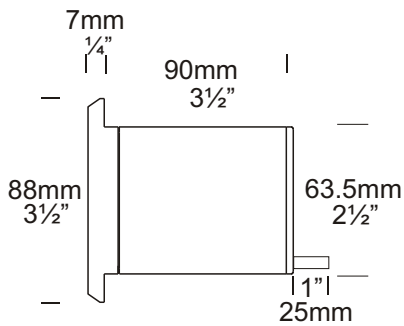
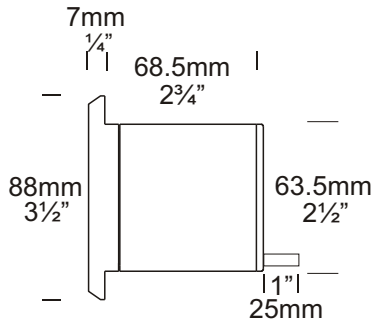


Step Lite Louvre Square

Cat. No. SLLUSQ

Cat. No. SLLUSQGU



GU10 Option



The Step Lite Louvre Square has an 88mm (3 1/2") square flange with a flush surface look with no protrusions. The 45 degree louvre eliminates all upward light making this luminaire ideal for illumination of steps and low level features such as exterior paved areas.

A GU10 version of this luminaire is also available for line voltage lamps. However, a longer luminaire body is needed to accommodate the longer lamp.

Ordering Information

Luminaire Type

Material

Accessories

SLLUSQ - Step Lite
Louvre Square

COP - Copper
SS - 316 Stainless Steel

CJK150- Cable Joint Kit
LENSSTEPF - Frosted Lens
Scan - Step Lite Canister
Canss - 316 Stainless Steel Canister
GU - GU10 Option

Ordering Example: SLLUSQ SS - Step Lite Louvre Square in 316 Stainless Steel

SLLUSQGU COP - Step Lite Louvre Square GU10 in Copper

CJK150 - Cable Joint Kit

(Accessories ordered separately)

HUNZA™ PURE
OUTDOOR
LIGHTING

HUNZA FACTORY
130 Felton Mathew Ave
Glen Innes
Auckland 1072
New Zealand

Ph: 64-9-528 9471
Fax: 64-9-528 9361
hunza@hunza.co.nz
www.hunzalighting.com

INTERNATIONAL CONTACTS:
[http://www.hunzalighting.com/
contact.php](http://www.hunzalighting.com/contact.php)

Specifications may change without notice.
Manufactured in New Zealand. Ver 1.4
© 2016 Hunza Holdings Ltd.

Luminaire Construction

CNC machined from one of the following metals:

Copper: 63.5mm (2½") x 10.5mm (13/32"). End cap - solid copper 63.5mm (2½") rod.

Flange 90mm x 90mm (3½" x 3½") bar.

316 S tainless Steel: 9mm (11/32"). End cap - solid 316 stainless steel 63.5mm (2½") rod.

Flange 90mm x 90mm (3½" x 3½") bar.

Mounting

Designed to fit through a 66mm (2 5/8") hole and be fixed into position by two screws in the flange or a Step Lite canister (see accessories) can be used which maintains the aesthetic look of the flange by eliminating the two screw holes in the flange.

Features

Lens:

3mm (1/8") thick clear tempered shatter resistant glass.

Lifetime Warranty.

Gaskets:

Silicone, iron impregnated 220°C (428°F).

Lamp Holder:

GU5.3 & GU10 - 350°C (662°F) ceramic multi contact lamp holder with 250°C (480°F) teflon cables.

Accessories:

Cable Joint Kit (Cat. CJK150)

Not approved for USA /Canada.

Frosted Lens (Cat. LENSSTEPF).

Step Canister (Cat. SLCAN).

316 Stainless Canister for use in lime stone etc. (Cat. CANSS).

GU10 Option (Cat. GU).

Standards

EN60598

IP66/IP68



UL1838

Luminaire Weight

12 volt

Cop 1.350kg (2lb 15oz)

SS 1.040 (2lb 4oz)

Fluorescent IP66

Cop 2.300kg (5lb 1oz)

SS 1.675 (3lb 11oz)

Power Supply

HUNZA™ Inground or Wall Mount Transformer: not included.

USA and Canada:

HUNZA™ Wall Mount Transformer: not included.

Luminaire: supplied with

Halogen

MR16 GU5.3 20watt lamp max.

GU10 - GU10 25 or 35 watt lamp

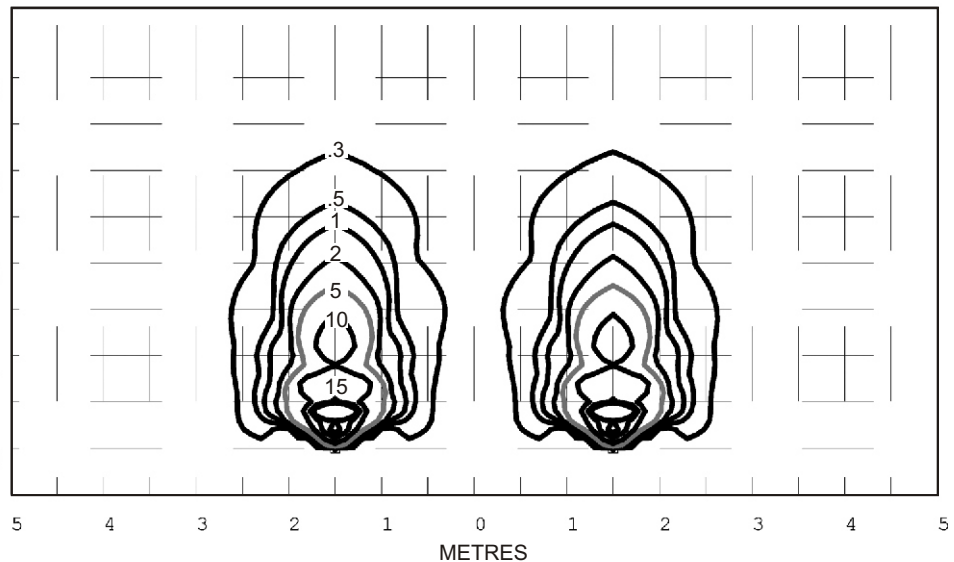
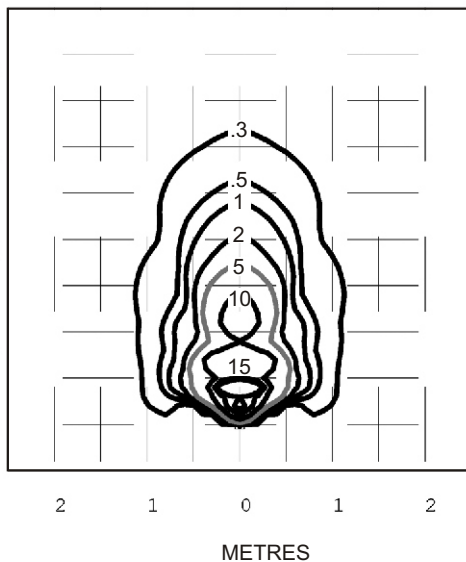
max.

USA and Canada:

MR16 GU5.3 20 watt lamp max.

GU10 Halogen - Lamp not supplied

Step Lite Louvre Square Lux MR16 BAB 20 watt lamp - Lens height 400mm (15¾")



Isolux Lumens Plot - Footcandles = Isolux figures divided by 10.76

HUNZA™ PURE
OUTDOOR
LIGHTING

HUNZA FACTORY
130 Felton Mathew Ave
Glen Innes
Auckland 1072
New Zealand

Ph: 64-9-528 9471
Fax: 64-9-528 9361
hunza@hunza.co.nz
www.hunzalighting.com

INTERNATIONAL CONTACTS:
[http://www.hunzalighting.com/
contact.php](http://www.hunzalighting.com/contact.php)

Specifications may change without notice.
Manufactured in New Zealand. Ver 1.4
© 2016 Hunza Holdings Ltd.