

# Step Lite Eyelid

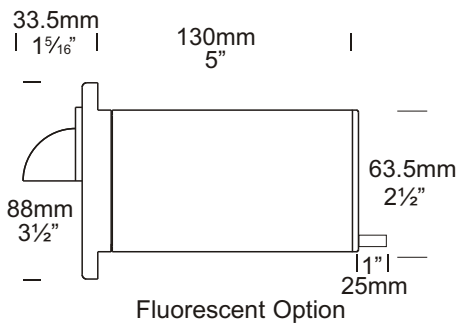
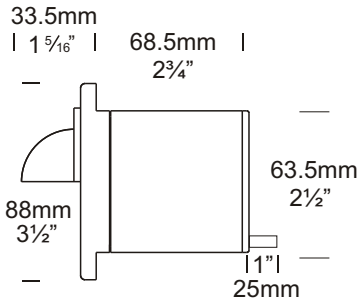
Cat. No. SLE

Cat. No. SLEfl



The Step Lite Eyelid is designed with a 88mm (3 1/2") flange and recessed body for flush mounting into masonry, stone or wood, providing illumination of steps and low level features such as exterior paved areas. The Eyelid feature eliminates all upward light, providing an excellent glare-free illuminating effect. When a canister is used there are no mounting holes in the flange.

A 110/240 volt fluorescent option is available which offers excellent light output, low energy usage and very low heat generation, this changes the luminaire to an IP66 rating.



## Ordering Information

### Luminaire Type

SLE - Step Lite Eyelid

### Material/Finish

BK - Black  
 BZ - Bronze  
 GN - Green  
 WH - White  
 STAR - Silver Star  
 COP - Copper

### Accessories

CJK150 - Cable Joint Kit  
 LENSSTEPF - Frosted Lens  
 FL - Fluorescent Option  
 HCL - Hex Cell Louvre Adaptor  
 Canss - 316 Stainless Steel Canister  
 Flucan - Fluorescent Canister  
 Sican - Step Lite Canister  
 For an alternative LED option start at page 10.4

Ordering Example: SLEfl COP - Step Lite Eyelid in Copper with Fluorescent Option.

HCL STAR - Hex Cell Louvre in Silver Star  
 (Accessories ordered separately)

**HUNZA**™ PURE OUTDOOR LIGHTING

**HUNZA FACTORY**  
 130 Felton Mathew Ave  
 Glen Innes  
 Auckland 1072  
 New Zealand

Ph: 64-9-528 9471  
 Fax: 64-9-528 9361  
[hunza@hunza.co.nz](mailto:hunza@hunza.co.nz)  
[www.hunza.co.nz](http://www.hunza.co.nz)

**INTERNATIONAL CONTACTS:**  
[www.hunza.co.nz/contacts.php](http://www.hunza.co.nz/contacts.php)

Specifications may change without notice.  
 Manufactured in New Zealand.

© 2009 Hunza Holdings Ltd.

Ver 1.4

## Luminaire Construction

CNC machined from one of the following metals:

High corrosion resistant 63.5mm (2½") x 10mm (25/64") aluminium.  
End cap - solid aluminium 63.5mm (2½") rod, flange 90mm (3½") solid aluminium rod with chromate substrate and high UV resistant polyester powder coat

**Colours** Black, Bronze, Green, Silver Star, White.

**Copper:** 63.5mm (2½") x 10mm (13/32"). End cap - solid copper 63.5mm (2½") rod.  
Flange 90mm (3½") solid copper rod.

## Mounting

Designed to fit through a 66mm (2 5/8") hole and be fixed into position by two screws in the flange or a Step Lite canister (see accessories) can be used which maintains the aesthetic look of the flange by eliminating the two screw holes in the flange.

## Features

**Lens:**  
3mm (1/8") thick clear tempered shatter resistant glass.  
Life Time Warranty.

**Gaskets:**  
Silicone, iron impregnated 220°C (428°F).

**Lamp Holders:**  
GU5.3 - 350°C (662°F) ceramic multi contact lamp holder with 250°C (480°F) teflon cables.

**Fluorescent:**  
E27 PET 210°C (410°F) base mount.  
E26 available in the USA.

**Accessories:**  
Cable Joint Kit (Cat. CJK150)  
Not approved for USA /Canada.  
Fluorescent Option 8watt 240 volt (Cat. FL) IP66.  
Frosted Lens (Cat. LENSSTEPF).  
Hex Cell Louvre Adaptor (Cat. HCL).  
Step Canister (Cat. Slcan).  
Fluorescent Canister, PVC (Cat. Flucan).  
316 Stainless Canister for use in lime stone etc. (Cat. Canss).

## Standards

EN60598

IP66/IP68



UL1838

## Luminaire Weight

12 volt

Alum .465kg (1lb)  
Cop 1.340kg (2lb 15oz)  
SS 1.055kg (2lb 5oz)

Fluorescent IP66  
Alum .780kg (1lb 11oz)  
Cop 2.275kg (5lb)  
SS 1.690kg (3lb 11oz)

## Power Supply

HUNZA™ Inground or Wall Mount  
Transformer: not included.

USA and Canada:  
HUNZA™ Wall Mount Transformer:  
not included.

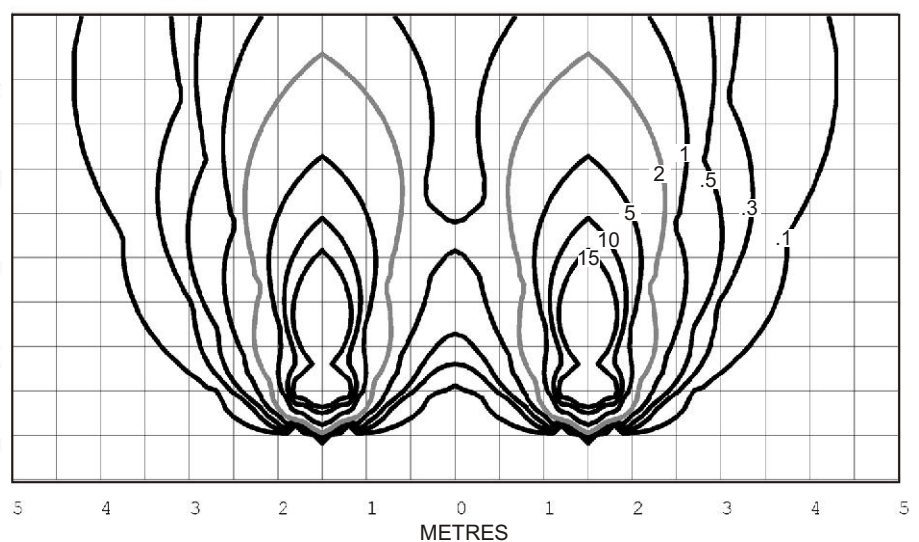
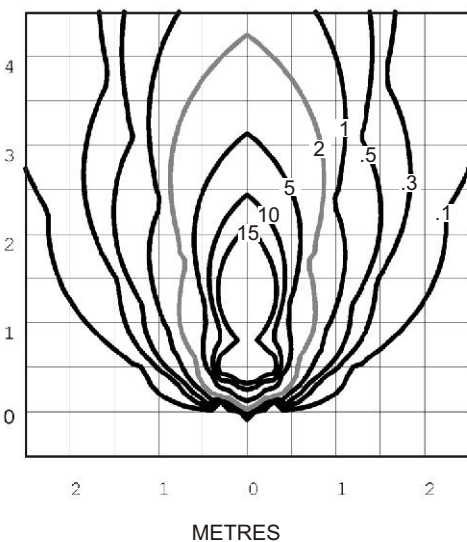
**Luminaire: supplied with**  
Halogen  
MR16 GU5.3 20 watt lamp max.  
Fluorescent  
E27 - 110/240 volt self ballasted lamp.

**LED** - Refer sheet no. 10.4

USA and Canada:  
MR16 GU5.3 20 watt lamp max.

**LED** - Refer sheet no. 10.4

Step Lite Eyelid MR16 BAB 20 watt lamp - Lens height 400mm (15¾")



Isolux Lumens Plot - Footcandles = Isolux figures divided by 10.76

**HUNZA**™ PURE  
OUTDOOR  
LIGHTING

**HUNZA FACTORY**  
130 Felton Mathew Ave  
Glen Innes  
Auckland 1072  
New Zealand

Ph: 64-9-528 9471  
Fax: 64-9-528 9361  
hunza@hunza.co.nz  
www.hunza.co.nz

**INTERNATIONAL CONTACTS:**  
www.hunza.co.nz/contacts.php

Specifications may change without notice.  
Manufactured in New Zealand.

© 2009 Hunza Holdings Ltd.

Ver 1.4