

## Flush Floor Lite

PROJECT:

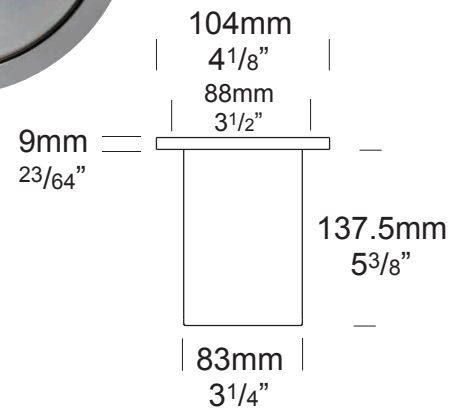
TYPE:

SOURCE:

NOTES:

### PURELED SPECIFICATIONS

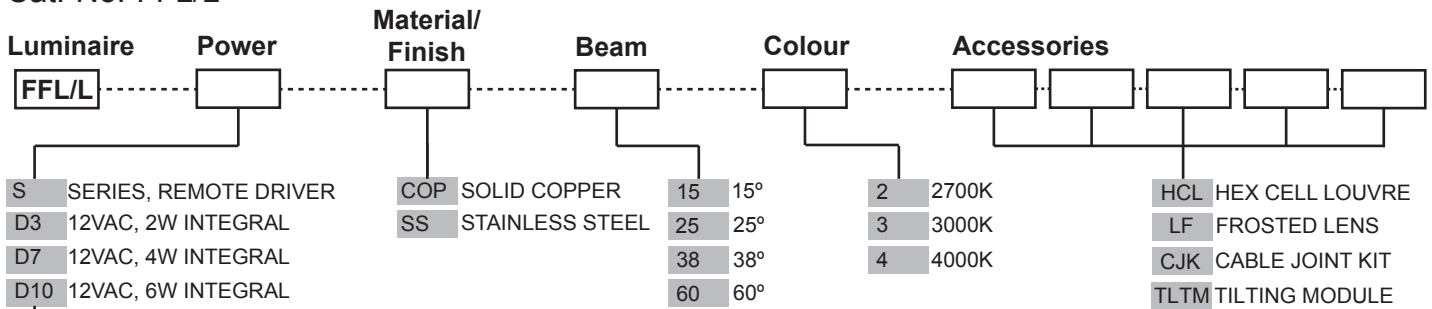
<b>LED Chip</b>	Cree XHP-50-2 Plug and Play field replaceable LED board
<b>Luminaire Output</b>	600 Lumens @ 1050mA (6 watts), 420 Lumens @ 700mA (4 watts), 240 Lumens @ 350mA (2 watts), delivered from luminaire with unobstructed beam.
<b>Lumens Per Watt</b>	100 Lumens @ 6 watts minimum, delivered from luminaire with unobstructed beam
<b>CRI (3000K)</b>	90+
<b>Colour Temperatures</b>	2700K, 3000K, 4000K
<b>Beam Angles</b>	15, 25, 38, 60
<b>Ingress Protection</b>	IP67
<b>Warranty</b>	Electronics = 5 years Body Cop/SS = 10 years
<b>Standards</b>	AS/NZS 61046 cUL 1838, 2108 CSA C22.2 No.250.7, No.250.0-08 CE



### PRODUCT CONFIGURATION

Please fill in appropriate codes into boxes provided

Cat. No. FFL/L



#### SERIES, REMOTE DRIVER REQUIRED:

Constant current driver  
Individual fixtures require 6vdc @ 1050mA maximum  
**12VAC INTEGRAL DRIVER:**  
Hunza integrated plug and play driver (included)  
Input: 9-15VAC.  
Output: 6vdc @ D3=350mA, D7=700mA, D10=1050mA (1050mA limited to ≤ 40°C (104°F) ambient temperature in stainless steel)

#### OTHER LAMP OPTIONS:

FFL/H - MR16 Halogen 12V Lamp  
FFL/SL - MR16 LED Retrofit 12V Lamp (lamps vary by market - please refer to supplier for details)  
FFL/GUH - GU10 120/240V Halogen Lamp (body length increases for all GU10 lamps)  
FFL/GUSL - GU10 LED Retrofit 120/240V Lamp (lamps vary by market - please refer to supplier for details)

[Click here for halogen specification sheet](#)

[Click here for Remote Power Supply Guidance Charts](#)

# LUMINAIRE CONSTRUCTION

CNC machined from one of the following

metals:

**Copper**

Body: 63.5mm (2 1/2") x 10mm (3/8").

End cap: solid copper 63.5mm (2 1/2") rod.

Flange: solid copper 104mm (4 1/16").

Canister: PVC canister 136 (5 3/8") x 3mm (1/8")

**316 Stainless Steel**

Body: solid 316 stainless steel 63.5mm (2 1/2") x 9mm (3/8").

End cap: solid 316 stainless steel 63.5 (2 1/2") rod.

Flange: 316 stainless steel 104mm (4 1/16").

Canister: PVC canister 136 (5 3/8") x 3mm (1/8")

**Lens:**

10mm (3/8") extra clear low iron flush fit shatter resistant glass.

Lifetime warranty.

**Gaskets:**

Silicone, iron impregnated 220°C (428°F)

**Mounting:**

The luminaire is pushed into the canister and is held by one silicone "O" ring. The canister is then cast into concrete, concrete block, brick, etc.

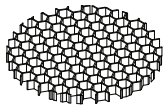
Maximum drive over speed 10km/h (6 mph) and maximum vehicle weight 1500kg (3300lb)

**Luminaire Weight:**

Cop: 2.000kg (4lb 7oz)

SS: 1.500kg (3lb 5oz)

## ACCESSORIES

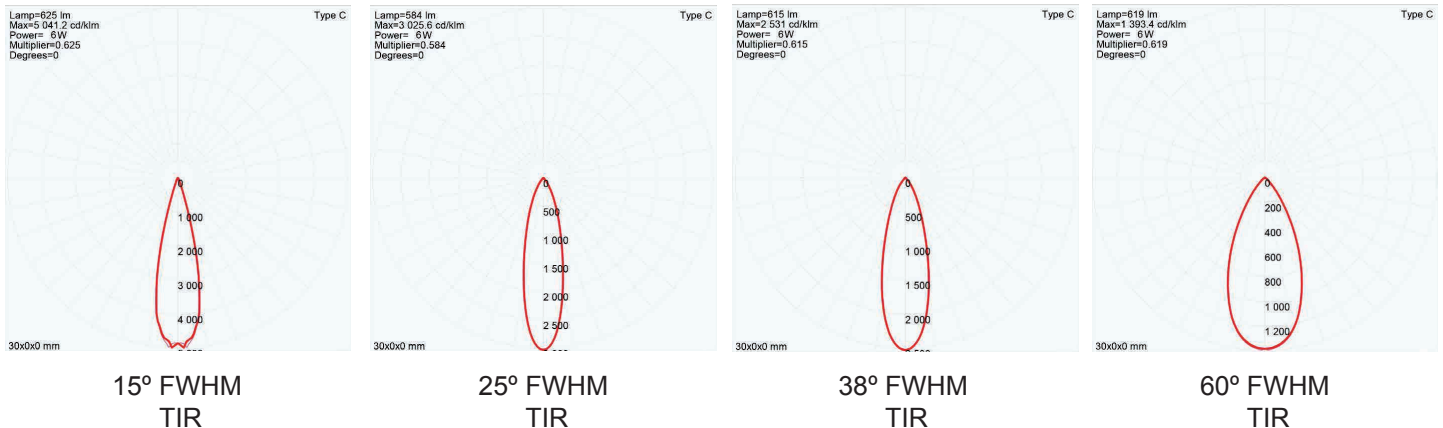


Hex Cell Louvre

## BEAM ANGLES

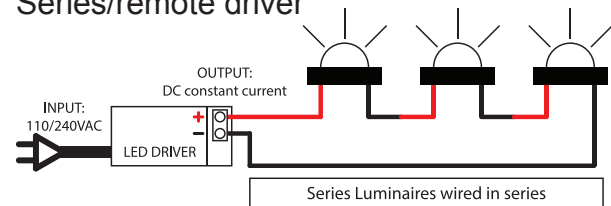
High efficiency PMMA TIR lenses. Field replaceable

IES files available for download: [hunzalighting.com/downloads](http://hunzalighting.com/downloads)



## WIRING GUIDE

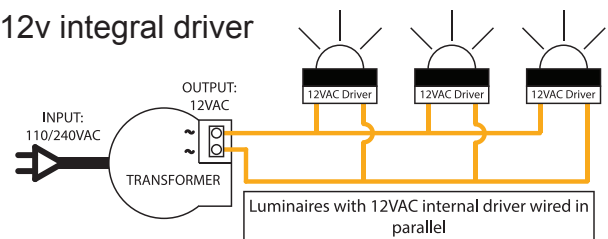
Series/remote driver



Diagrams are a guide only, wire colours and polarity may change depending on fixture and country

Available for download: [hunzalighting.com/downloads](http://hunzalighting.com/downloads)

12v integral driver



Specifications may change without notification

Aug 2017