

Features

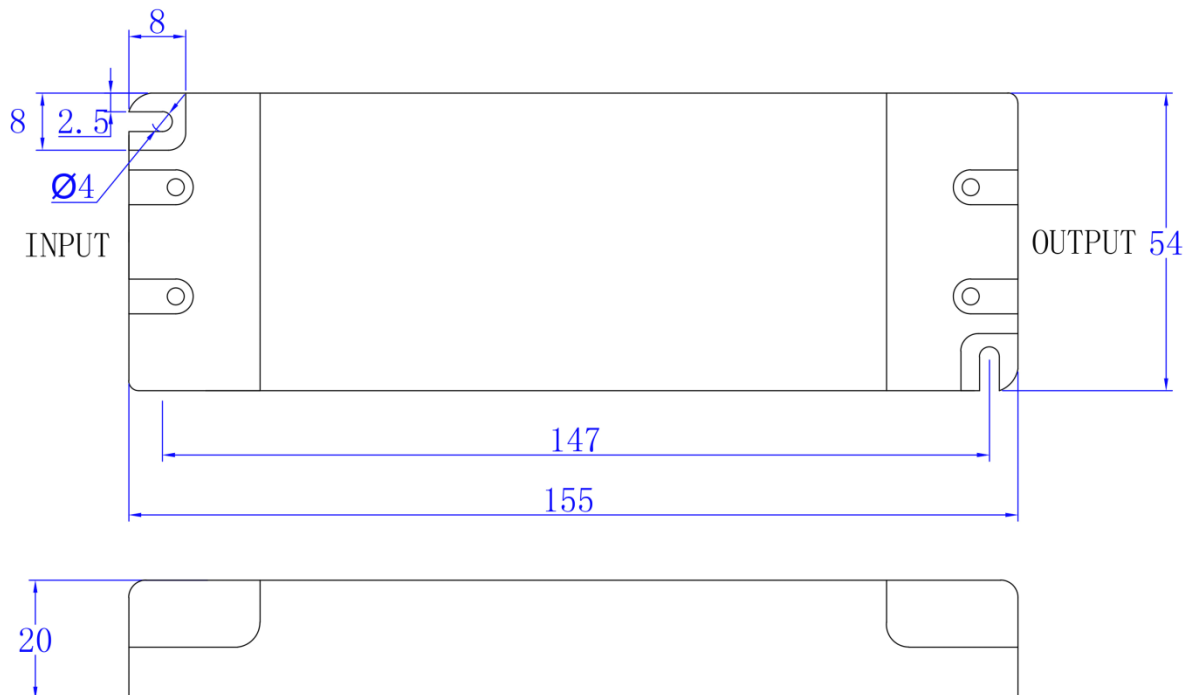


- Constant current mode output with multiple levels selectable by dip switch
- Protections: Short Circuit/ Over load/ Over Current
- Full protection plastic housing easy installation
- IP20 design for indoor installation
- Cooling by free air convection
- Dimming function: Triac dimmable Phase cut dimmable

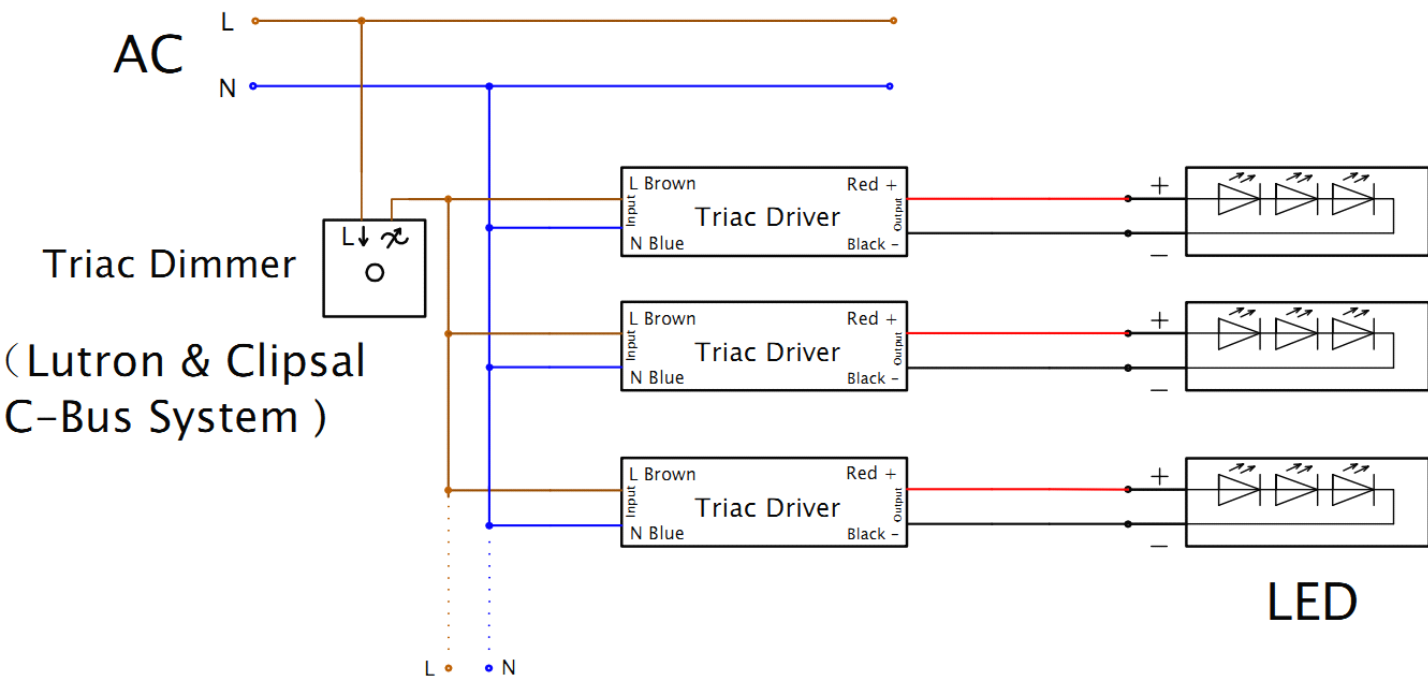
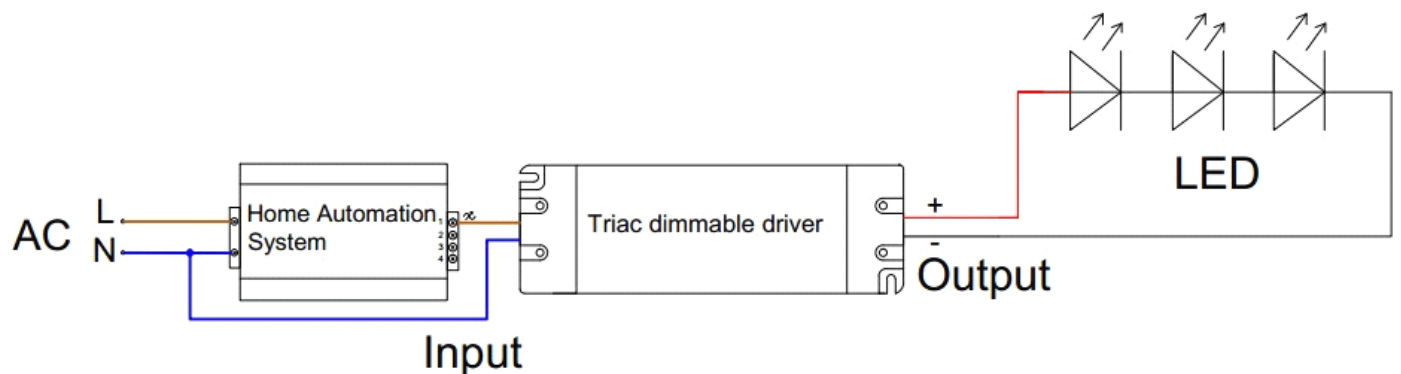
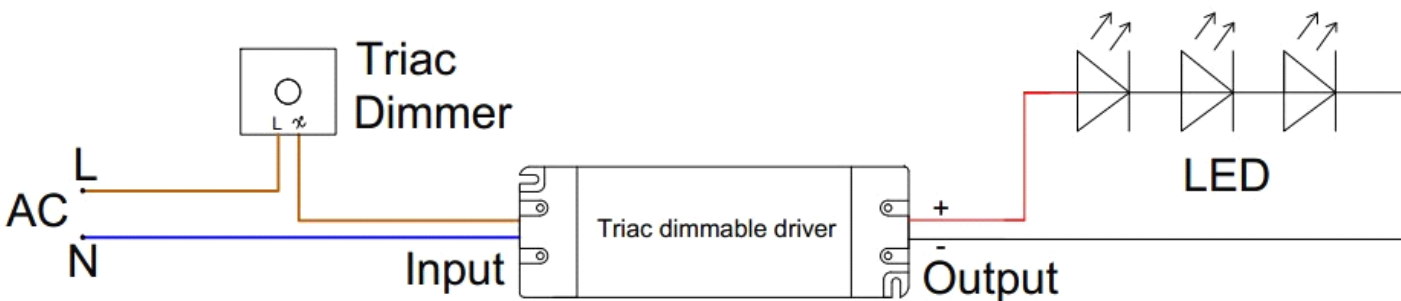
Model		ELED-25-C300/900T							
Output	Rated Current	900mA	850mA	700mA	650mA	550mA	500mA	350mA	300mA
	Current Tolerance	±5%							
	DC Voltage	3-28V	3-30V	3-35V	3-38V	3-45V	3-50V	3-50V	3-50V
	Rated Power	25.2W	25.5W	24.5W	24.7W	22.5W	25W	17.5W	15W
	No-Load Voltage	52-60V							
Input	Voltage Range	180-240 VAC							
	Rated Frequency	47~63HZ							
	Power Factor	PF> 0.65/180VAC // PF>0.65/230VAC // PF>0.65/240VAC (Full loading)							
	Full Load Efficiency	78%	78%	79%	80%	80%	80%	80%	80%
	AC Current	0.28A	0.28A	0.27A	0.26A	0.24A	0.27A	0.19A	0.16A
	Leakage Current	<0.50mA							
Protection	Short Circuit	Hiccup mode, Recovers automatically after fault condition is removed							
	Over Load	≤120%							
	Protection	II							
Environment	Working TEMP	-40 ~ +60°C							
	Working Humidity	20~95%RH, non-condensing							
	Storage TEM Humidity	-40~+80°C, 10~95%RH							
	TEMP Coefficient	±0.03%/°C (0~50°C)							
	Vibration	10~500Hz, 5G 12min./ 1 cycle,period for 72 min. each along X,Y,Z axes							

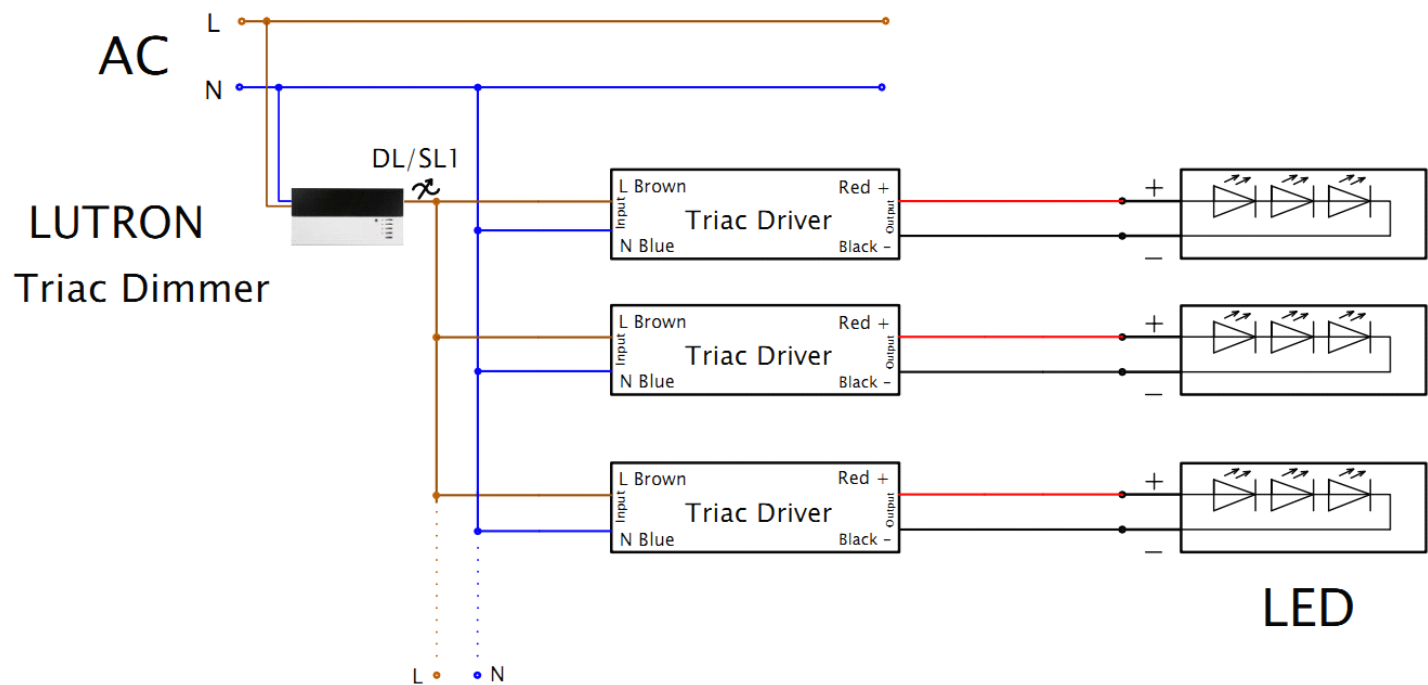
Safety & EMC	Safety standards	EN61347-1 EN61347-2-13	
	Withstand voltage	I/P-O/P:3.75KVAC	
	Isolation resistance	I/P-O/P : 100MΩ/500VDC/25°C/70%RH	
	EMC EMISSION	Compliance to EN55015, EN61000-3-2,3 (≥50%load)	
	EMC IMMUNITY	Compliance to EN61000-4,2,3,4,5,6,11, EN61547, A light industry level (surge4KV)	
Others	Weight	0.21Kg	
	Size	155*54*20mm (L*W*H)	
	packing	350*240*130 (40PCS/CTN)	160*60*23 mm for inner box

Mechanical Specification



Connection Diagrams





Derating Curve

